



AO  
TRIBUNAL DE JUSTIÇA DO ESTADO DO AMAZONAS

PREGÃO ELETRONICO Nº 90012/2026  
AO PREGOEIRO E EQUIPE DE APOIO  
MENOR PREÇO POR GRUPO/LOTE

**ANEXO III - PROPOSTA DE PREÇOS**

**Dados da Licitante:**

**Razão Social:** Extreme Security Comercio de Eletroeletrônico Ltda / **CNPJ:** 19.780.461/0001-52

**Endereço:** Av Atilio Pedro Pagani Nº 115 - Edif Duetio Office Andar 06 Sala 612 - Bairro: Pagani - CEP: 88.132-149- Cidade: Palhoça-SC.

**E-mail:** [extremesecurity@extremesecurity.com.br](mailto:extremesecurity@extremesecurity.com.br) – **Tel.** (48) 3036-0434

**Inscrição Estadual nº:** 258.697.296 / **Inscrição Municipal nº:** 4.929.808-9

Dados bancários completos: **Banco:** Banco do Brasil / **Agência:** 4307-9 / **Conta Corrente:** 25199-2

**Representante Legal:** Juliana Cardoso Abdo

**RG:** 436671967, órgão expedidor SSP/SP

**CPF:** 347.758.818-50,

**Endereço:** Rua João Botter, nº 207, bairro Jardim Netinho Prado, Jaú/SP, CEP 17.208-160, Brasil.

**Objeto:** Registro de preços para aquisição remunerada, sob demanda, de solução de videomonitoramento IP, conforme condições e exigências estabelecidas neste instrumento e seus anexos.

**GRUPO:**

Item	Descrição	Qtd	Valor Unitário R\$	Valor Total R\$
1	Fornecimento de Câmera Tipo 1 - Câmera IP Bullet com Detecção Facial e Vídeo Estruturado  MARCA: HIKVISION MODELO: DS-2CD3666G2T-IZS (2,7-13,5MM) + DS-1260ZJ	400	R\$ 2.915,00	R\$ 1.166.000,00
2	Fornecimento de Câmera Tipo 2 - Câmera IP Dome com entrada de alarme e microfone embutido  MARCA: HIKVISION	90	R\$ 2.000,00	R\$ 180.000,00

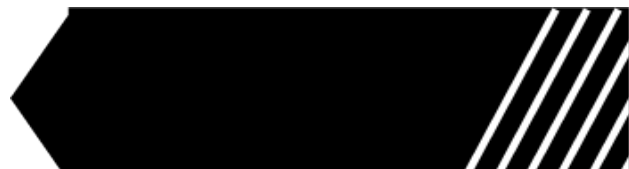
EXTREME SECURITY COMERCIO DE ELETROELETRONICO LTDA

Av. Atilio Pedro Pagani nº 115- 6º Andar-Sala 612

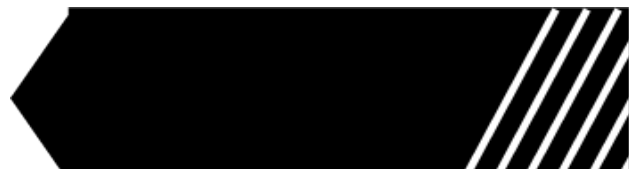
Pagani – Palhoça - SC - CEP: 88.132.149

e-mail: [extremesecurity@extremesecurity.com.br](mailto:extremesecurity@extremesecurity.com.br) Tel.: (48) 3036-0434

CNPJ: 19.780.461/0001-52 IE: 258.697.296 CCM: 9020407



	MODELO: DS-2CD3566G2-IS + DS-1280ZJ-DM46 (BLACK)			
3	Fornecimento de Câmera Tipo 3 - Câmera IP com lentes fixas para monitoramento visual em 180°  MARCA: HIKVISION MODELO: DS-2CD2387G2P-LSU/SL (4mm) + DS-1280ZJ-DM55	90	R\$ 3.300,00	R\$ 297.000,00
4	Fornecimento de Câmera Tipo 4 - Câmera multimodulo com panorâmico de 180° e PTZ  MARCA: HIKVISION MODELO: DS-2SF8C425MXG-ELW/26+ DS-1603ZJ-P+DS-1678ZJ	6	R\$ 14.000,00	R\$ 84.000,00
5	Fornecimento de NVR Tipo 1 - NVR de 128 Canais  MARCA: HIKVISION MODELO: IDS-96128NXI-H24R_LCD	2	R\$ 265.000,00	R\$ 530.000,00
6	Fornecimento de NVR Tipo 2 - NVR de 64 Canais  MARCA: HIKVISION MODELO: DS-96064NI-I16	6	R\$ 59.000,00	R\$ 354.000,00
7	Fornecimento de NVR Tipo 3 - NVR de 16 Canais  MARCA: HIKVISION MODELO: DS-9616NI-M8	60	R\$ 8.579,00	R\$ 514.740,00
8	Fornecimento de HD para NVR - 6 TB com operação contínua (24/7) para Sistemas de CFTV  MARCA: WD MODELO: WD PURPLE 6TB	154	R\$ 2.650,00	R\$ 408.100,00
9	Instalação de Câmera Tipo 1 - Câmera IP Bullet com Detecção Facial e Vídeo Estruturado  MARCA: SERVIÇO MODELO: SERVIÇO	400	R\$ 330,00	R\$ 132.000,00
10	Instalação de Câmera Tipo 2 - Câmera IP Dome com entrada de alarme e microfone embutido  MARCA: SERVIÇO MODELO: SERVIÇO	90	R\$ 330,00	R\$ 29.700,00
11	Instalação de Câmera Tipo 3 - Câmera IP com lentes fixas para	90	R\$ 330,00	R\$ 29.700,00



	monitoramento visual em 180°  MARCA: SERVIÇO MODELO: SERVIÇO			
12	Instalação de Câmera Tipo 4 - Câmera multimodulo com panorâmico de 180° e PTZ  MARCA: SERVIÇO MODELO: SERVIÇO	6	R\$ 290,00	R\$ 1.740,00
13	Fornecimento de NVR Tipo 1 - NVR de 128 Canais  MARCA: SERVIÇO MODELO: SERVIÇO	2	R\$ 960,00	R\$ 1.920,00
14	Fornecimento de NVR Tipo 2 - NVR de 64 Canais  MARCA: SERVIÇO MODELO: SERVIÇO	6	R\$ 960,00	R\$ 5.760,00
15	Fornecimento de NVR Tipo 3 - NVR de 16 Canais  MARCA: SERVIÇO MODELO: SERVIÇO	60	R\$ 840,00	R\$ 50.400,00
16	Fornecimento de HD para NVR - 6 TB com operação contínua (24/7) para Sistemas de CFTV  MARCA: SERVIÇO MODELO: SERVIÇO	154	R\$ 99,00	R\$ 15.246,00
17	Fornecimento de Videowall 2x3.  MARCA: LG/HIKVISION MODELO: 6*55VM5JH + DS-6908UDI + ESTRUTURA VIDEO WALL 2X3 +RACK 12U COM COOLER +CALHA DE 6 TOMADAS	1	R\$ 58.906,38	R\$ 58.906,38
18	Fornecimento de Videowall 2x2.  MARCA: LG/HIKVISION MODELO: 4* 55VM5JH + DS-6904UDI+ ESTRUTURA VIDEO WALL 2X2 + RACK 12U COM COOLER +CALHA DE 6 TOMADAS	1	R\$ 45.817,27	R\$ 45.817,27
19	Instalação de Videowall 2x3  MARCA: SERVIÇO MODELO: SERVIÇO	1	R\$ 1.999,00	R\$ 1.999,00
20	Instalação de Videowall 2x3  MARCA: SERVIÇO MODELO: SERVIÇO	1	R\$ 1.900,00	R\$ 1.900,00



Valor total por extenso: Três milhões, novecentos e oito mil, novecentos e vinte oito reais e sessenta e cinco centavos.

R\$  
3.908.928,65

Concordamos com todas as exigências do Edital.

**Prazo de Validade da Proposta:** 60 (sessenta) dias.

**Prazo de garantia:** 12 (doze) meses.

**Prazo de entrega:** 10 (dez) dias corridos

Declaramos que estamos ciente e concordamos com as condições contidas no edital e seus anexos, bem como de que a proposta apresentada compreende a integralidade dos custos para atendimento dos direitos trabalhistas assegurados na Constituição Federal, nas leis trabalhistas, nas normas infralegais, nas convenções coletivas de trabalho e nos termos de ajustamento de conduta vigentes na data de sua entrega em definitivo e que cumpre plenamente os requisitos de habilitação definidos no instrumento convocatório.

**Observação: Estão inclusos nos preços supramencionados todos os custos diretos e indiretos, inclusive de embalagens, transportes ou fretes, e ainda os resultantes da incidência de quaisquer tributos, contribuições ou obrigações decorrentes da legislação trabalhista, fiscal e previdenciária a que estiver sujeito.**

**Declaro que possuo capacidade operacional e técnica para atendimento a todos os requisitos deste Edital e seus anexos.**

**Demais prazos e informações em conformidade com o edital e seus anexos.**

Palhoça/SC, 25 de Fevereiro de 2026



**EXTREME SECURITY COM ELETRO ELETRONICO LTDA**

**JULIANA CARDOSO ABDO**

**Proprietária/Empresária**

**R.G.: 43.667.196-7 / CPF.: 347758818/50**



## DS-2CD3666G2T-IZS(Y) 6 MP AcuSense IR Varifocal Bullet Network Camera

### AcuSense

Powered by  
**DarkFighter**



Empowered by deep learning algorithms, Hikvision AcuSense technology brings human and vehicle targets classification alarms to front- and back-end devices. The system focuses on human and vehicle targets, vastly improving alarm efficiency and effectiveness.

Hikvision has been dedicated to develop products with security since established. Hikvision always follows security by design principle and has adopted many methods of security technologies into our product development lifecycle, including terminal security, data security, application security, network security, and privacy protection. In the meantime, the security technologies used by Hikvision are all in compliance with local applicable laws and safety regulations. These security measures could enhance product's cyber security protection capability and protect your devices as well as your data from malicious cyber attacks.

- Supports Hikvision Embedded Open Platform (HEOP) and importing third party applications
- Supports 1.5 Tops computing power, 40 MB system memory, 350 MB smart RAM, and 2 GB eMMC storage for sharing resources
- High quality imaging with 6 MP resolution
- Excellent low-light performance with powered-by-DarkFighter technology
- Clear imaging against strong back light due to 120 dB true WDR technology
- Efficient H.265+ compression technology
- False alarm reduction through human and vehicle target classification based on deep learning
- Audio and alarm interface available
- 3D DNR technology delivers clean and sharp images
- Motorized varifocal lens for easy installation
- Water and dust resistant (IP67) and vandal-resistant (IK10)

## ▪ Specification

Camera	
Image Sensor	1/2.4" Progressive Scan CMOS
Max. Resolution	3200 × 1800
Min. Illumination	Color: 0.003 Lux @ (F1.6, AGC ON),B/W: 0 Lux with IR
Shutter Time	1/3 s to 1/100,000 s
Day & Night	IR cut filter
Angle Adjustment	Pan: 0° to 355°,tilt: 0° to 90°,rotate: 0° to 360°
Lens	
Lens Type	Varifocal lens, motorized lens, 2.7 to 13.5 mm and 7 to 35 mm optional
Focal Length & FOV	2.7 to 13.5 mm: horizontal FOV 106° to 35.6°, vertical FOV 55.9° to 20°, diagonal FOV 127.4° to 40.8° 7 to 35 mm: horizontal FOV 34.4° to 12.5°, vertical FOV 19° to 7.1°, diagonal FOV 39.8° to 14.3°
Lens Mount	2.7 to 13.5 mm: Ø14; 7 to 35 mm: Integrated
Focus	Auto,Semi-auto,Manual
Iris Type	Auto-iris
Aperture	2.7 to 13.5 mm: F1.6; 7 to 35 mm: F1.6
DORI	
DORI	2.7 to 13.5 mm: D: 68 to 200 m, O: 27 to 79 m, R: 13 to 40 m, I: 6 to 20 m 7 to 35 mm: D: 218 to 580 m, O: 86 to 230 m, R: 43 to 116 m, I: 21 to 58 m
Illuminator	
Supplement Light Type	IR
Supplement Light Range	2.7 to 13.5 mm: up to 60 m; 7 to 35 mm: up to 80 m
Smart Supplement Light	Yes
IR Wavelength	850 nm
HEOP	
Open Resources	Memory: 40 MB, Smart RAM: 350 MB, eMMC: 2 GB
Computing Power	1.5 TOPS
Open Capability	HEOP 2.0 OpendevSDK
Deep Learning Structure	Caffe,PyTorch,TensorFlow,PaddlePaddle, ONNX
Programming Language	C,C++
Video	
Main Stream	50 Hz: 20 fps (3200 × 1800) 25 fps (2688 × 1520, 1920 × 1080, 1280 × 720) 60 Hz: 20 fps (3200 × 1800) 30 fps (2688 × 1520, 1920 × 1080, 1280 × 720)
Sub-Stream	50 Hz: 25 fps (1280 × 720, 640 × 480, 640 × 360) 60 Hz: 30 fps (1280 × 720, 640 × 480, 640 × 360)
Third Stream	50 Hz: 10 fps (1920 × 1080, 1280 × 720, 640 × 480, 640 × 360) 60 Hz: 10 fps (1920 × 1080, 1280 × 720, 640 × 480, 640 × 360)

Fourth Stream	50 Hz: 10 fps (1280 × 720, 640 × 480, 640 × 360) 60 Hz: 10 fps (1280 × 720, 640 × 480, 640 × 360)
Video Compression	Main stream: H.265/H.264/H.264+/H.265+, Sub-stream: H.265/H.264/MJPEG, Third stream: H.265/H.264, Fourth stream: H.265/H.264/MJPEG
Video Bit Rate	32 Kbps to 16 Mbps
H.264 Type	Baseline Profile,Main Profile,High Profile
H.265 Type	Main Profile
Bit Rate Control	CBR,VBR
Scalable Video Coding (SVC)	H.264 and H.265 encoding
Region of Interest (ROI)	5 fixed regions for main stream and sub-stream
Target Cropping	Yes
<b>Audio</b>	
Audio Compression	G.711/G.722.1/G.726/MP2L2/PCM/MP3/AAC-LC
Audio Bit Rate	64 Kbps (G.711ulaw/G.711alaw)/16 Kbps (G.722.1)/16 Kbps (G.726)/32 to 192 Kbps (MP2L2)/8 to 320 Kbps (MP3)/16 to 64 Kbps (AAC-LC)
Audio Sampling Rate	8 kHz/16 kHz/32 kHz/44.1 kHz/48 kHz
Environment Noise Filtering	Yes
<b>Network</b>	
Protocols	TCP/IP, ICMP, HTTP, HTTPS, FTP, DHCP, DNS, DDNS, RTP, RTSP, NTP, UPnP, SMTP, IGMP, 802.1X, QoS, IPv4, IPv6, UDP, Bonjour, SSL/TLS, PPPoE, SFTP, ARP, SNMP, WebSocket, WebSockets, SRTP
Simultaneous Live View	Up to 6 channels
API	ONVIF (Profile S, Profile G, Profile T),ISAPI,SDK,ISUP
User/Host	Up to 32 users 3 user levels: administrator, operator, and user
Security	Password protection, complicated password, HTTPS encryption, 802.1X authentication (EAP-TLS, EAP-LEAP, EAP-MD5), watermark, IP address filter, basic and digest authentication for HTTP/HTTPS, WSSE and digest authentication for Open Network Video Interface, RTP/RTSP over HTTPS, control timeout settings, security audit log, TLS 1.1/1.2/1.3, host authentication (MAC address)
Network Storage	NAS (NFS, SMB/CIFS),Auto Network Replenishment (ANR), Together with high-end Hikvision memory card, memory card encryption and health detection are supported.
Client	iVMS-4200,Hik-Connect,Hik-Central
Web Browser	Plug-in required live view: IE 10, IE 11, Plug-in free live view: Chrome 57.0+, Firefox 52.0+, Edge 89+, Local service: Chrome 57.0+, Firefox 52.0+, Edge 89+
<b>Image</b>	
Image Parameters Switch	Yes
Image Settings	Rotate mode,saturation,brightness,contrast,sharpness,gain,white balance,adjustable by client software or web browser
Day/Night Switch	Day,Night,Auto,Schedule
Wide Dynamic Range (WDR)	120 dB
Image Enhancement	BLC,HLC,3D DNR,Defog

SNR	≥ 52 dB
Privacy Mask	4 programmable polygon privacy masks
<b>Interface</b>	
Ethernet Interface	1 RJ45 10 M/100 M self-adaptive Ethernet port
On-Board Storage	Built-in memory card slot, support microSD/microSDHC/microSDXC card, up to 512 GB
Audio	1 input (line in), two-core terminal block, max. input amplitude: 3.3 Vpp, input impedance: 4.7 KΩ, interface type: non-equilibrium, 1 output (line out), two-core terminal block, max. output amplitude: 3.3 Vpp, output impedance: 100 Ω, interface type: non-equilibrium
Alarm	2 inputs, 2 outputs (max. 24 VDC/24 VAC, 1 A)
Reset Key	Yes
Power Output	12 VDC, max. 100 mA
<b>Event</b>	
Basic Event	Motion detection (support alarm triggering by specified target types (human and vehicle)),video tampering alarm,exception
Smart Event	scene change detection,audio exception detection,defocus detection, unattended baggage detection,object removal detection
Linkage	Upload to FTP/NAS/memory card,notify surveillance center,send email,trigger alarm output,trigger recording,trigger capture,audible warning
<b>Deep Learning Function</b>	
Perimeter Protection	Line crossing, intrusion, region entrance, region exiting Support alarm triggering by specified target types (human and vehicle)
Face Capture	Yes
People Counting	Yes
<b>General</b>	
Power	12 VDC ± 25%, 1.08 A, max. 13 W,∅5.5 mm coaxial power plug,reverse polarity protection, PoE: 802.3af Class3, max. 15 W
Material	Aluminum alloy body
Dimension	∅105 mm × 332.8 mm (∅4.1" × 13.1")
Package Dimension	385 mm × 190 mm × 180 mm (15.2" × 7.5" × 7.1")
Weight	Approx. 1475 g (2.9 lb.)
With Package Weight	Approx. 2276 g (4.8 lb.)
Storage Conditions	-30 °C to 60 °C (-22 °F to 140 °F). Humidity 95% or less (non-condensing)
Startup and Operating Conditions	-30 °C to 60 °C (-22 °F to 140 °F). Humidity 95% or less (non-condensing)
General Function	Heartbeat,anti-banding,mirror,flash log,password reset via email,pixel counter
Language	33 languages: English, Russian, Estonian, Bulgarian, Hungarian, Greek, German, Italian, Czech, Slovak, French, Polish, Dutch, Portuguese, Spanish, Romanian, Danish, Swedish, Norwegian, Finnish, Croatian, Slovenian, Serbian, Turkish, Korean, Traditional Chinese, Thai, Vietnamese, Japanese, Latvian, Lithuanian, Portuguese (Brazil), Ukrainian

Approval	
EMC	FCC: 47 CFR Part 15, Subpart B, CE-EMC: EN 55032: 2015, EN 61000-3-2:2019, EN 61000-3-3: 2013+A1:2019, EN 50130-4: 2011 +A1: 2014, RCM: AS/NZS CISPR 32: 2015, IC: ICES-003: Issue 7, KC: KN32: 2015, KN35: 2015
Safety	UL: UL 62368-1, CB: IEC 62368-1: 2014+A11, CE-LVD: EN 62368-1: 2014/A11: 2017, BIS: IS 13252 (Part 1): 2010/IEC 60950-1: 2005, LOA: IEC/EN 60950-1
Environment	CE-RoHS: 2011/65/EU, WEEE: 2012/19/EU, Reach: Regulation (EC) No 1907/2006
Protection	IP67: IEC 60529-2013,IK10: IEC 62262:2002
Anti-Corrosion Protection	-Y: NEMA 4X (NEMA 250-2018)

## ▪ Typical Application

Hikvision products are classified into three levels according to their anti-corrosion performance. Refer to the following description to choose for your using environment.

With -Y model: This model has MODERATE PROTECTION.

Without -Y model: This model has NO SPECIFIC PROTECTION.

Level	Description
Top-level protection	Hikvision products at this level are equipped for use in areas where professional anti-corrosion protection is a must. Typical application scenarios include coastlines, docks, chemical plants, and more.
Moderate protection	Hikvision products at this level are equipped for use in areas with moderate anti-corrosion demands. Typical application scenarios include coastal areas about 2 kilometers (1.24 miles) away from coastlines, as well as areas affected by acid rain.
No specific protection	Hikvision products at this level are equipped for use in areas where no specific anti-corrosion protection is needed.

## ▪ Available Model

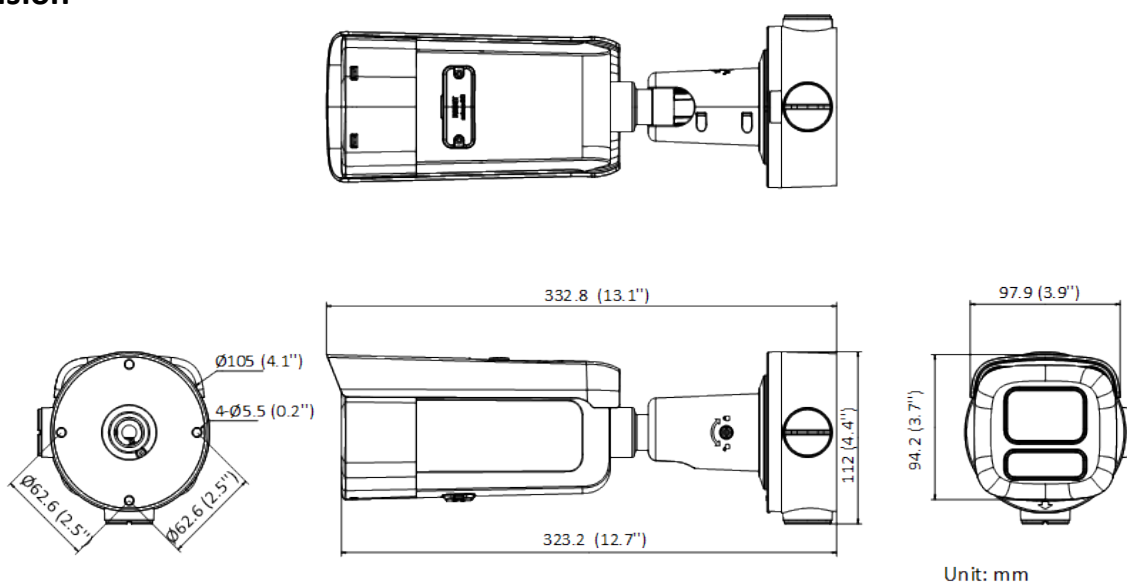
DS-2CD3666G2T-IZS(2.7-13.5mm)(H)

DS-2CD3666G2T-IZS(7-35mm)(H)

DS-2CD3666G2T-IZSY(2.7-13.5mm)(H)

DS-2CD3666G2T-IZSY(7-35mm)(H)

▪ **Dimension**



Unit: mm

▪ **Accessory**

▪ **Included**



▪ **Optional**

DS-1275ZJ-SUS Vertical pole mount	DS-1276ZJ-SUS Corner mount	DS-1275ZJ-S-SUS Vertical pole mount

**Headquarters**

No.555 Qianmo Road, Binjiang District,  
Hangzhou 310051, China  
T +86-571-8807-5998  
[www.hikvision.com](http://www.hikvision.com)



Follow us on social media to get the latest product and solution information.

[HIKVISION](#)[HIKVISIONHQ](#)[HIKVISIONHQ](#)[HIKVISION\\_Global](#)[HIKVISION  
Corporate Channel](#)[HIKVISIONHQ](#)

## DS-1260ZJ

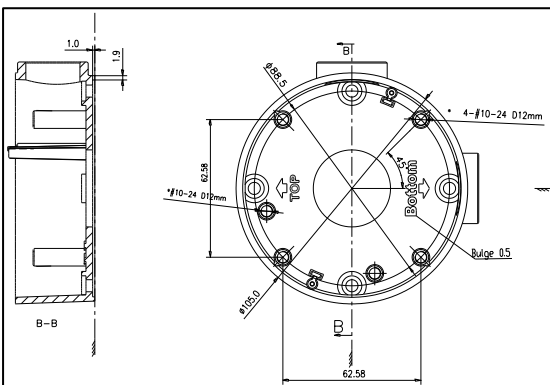
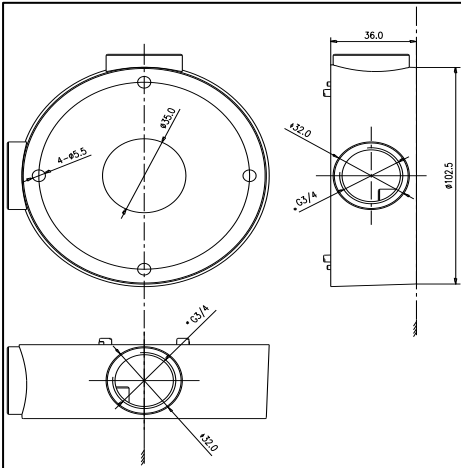
Junction Box for Bullet Camera



### Features:

- Aluminum alloy material with surface spray treatment

### Dimension:



### Order Model:

DS-1260ZJ

### Parameter:

Model	DS-1260ZJ
Parameters	Junction Box for Bullet Camera
Appearance	Hikvision White
Material	Aluminum Alloy
Dimension	Ø105 × 36 mm (4.13" × 1.42")
Weight	251 g (0.55 lb.)

### Notice:

- The bracket should be installed on flat wall
- Waterproof rubber is necessary for outdoor application
- The wall must be capable of supporting over 3 times as much as the total weight of the camera and the mount.
- The maximum load capacity of the bracket is 4.5 kg

**Note:** The actual dome camera may vary from the picture above.

## DS-2CD3566G2-IS 6 MP Acusense IR Fixed Mini Dome Network Camera

# AcuSense

Powered by

**DarkFighter**



Empowered by deep learning algorithms, Hikvision AcuSense technology brings human and vehicle targets classification alarms to front- and back-end devices. The system focuses on human and vehicle targets, vastly improving alarm efficiency and effectiveness.

Hikvision has been dedicated to develop products with security since established. Hikvision always follows security by design principle and has adopted many methods of security technologies into our product development lifecycle, including terminal security, data security, application security, network security, and privacy protection. In the meantime, the security technologies used by Hikvision are all in compliance with local applicable laws and safety regulations. These security measures could enhance product's cyber security protection capability and protect your devices as well as your data from malicious cyber attacks.

- Supports Hikvision Embedded Open Platform (HEOP) and importing third party applications
- Supports 1.5 Tops computing power, 40 MB system memory, 350 MB smart RAM, and 2 GB eMMC storage for sharing resources
- High quality imaging with 6 MP resolution
- Excellent low-light performance with powered-by-DarkFighter technology
- Clear imaging against strong backlight due to 120 dB WDR technology
- Efficient H.265+ compression technology
- Focus on human and vehicle targets classification based on deep learning
- Audio and alarm interface available
- Water and dust resistant (IP67) and vandal resistant (IK08)

## ▪ Specification

Camera	
Image Sensor	1/2.4" Progressive Scan CMOS
Max. Resolution	3200 × 1800
Min. Illumination	Color: 0.003 Lux @ (F1.6, AGC ON),B/W: 0 Lux with IR
Shutter Time	1/3 s to 1/100,000 s
Day & Night	IR cut filter
Angle Adjustment	Pan: -30° to 30°,tilt: 0° to 75°,rotate: 0° to 360°
Lens	
Lens Type	Fixed focal lens, 2.8 and 4 mm optional
Focal Length & FOV	2.8 mm, horizontal FOV 105°, vertical FOV 55°, diagonal FOV 127° 4 mm, horizontal FOV 78°, vertical FOV 38°, diagonal FOV 96°
Lens Mount	M12
Iris Type	Fixed
Aperture	F1.6
DORI	
DORI	2.8 mm: D: 76 m, O: 30 m, R: 15 m, I: 7 m 4 mm: D: 115 m, O: 45 m, R: 23 m, I: 11 m
Illuminator	
Supplement Light Type	IR
Supplement Light Range	Up to 30 m
Smart Supplement Light	Yes
IR Wavelength	850 nm
HEOP	
Open Resources	Memory: 40 MB, Smart RAM: 350 MB, eMMC: 2 GB
Computing Power	1.5 TOPS
Open Capability	HEOP 2.0 OpendevSDK
Deep Learning Structure	Caffe,PyTorch,TensorFlow,PaddlePaddle,ONNX
Programming Language	C,C++
Video	
Main Stream	50 Hz: 20 fps (3200 × 1800) 25 fps (2688 × 1520, 1920 × 1080, 1280 × 720) 60 Hz: 20 fps (3200 × 1800) 30 fps (2688 × 1520, 1920 × 1080, 1280 × 720)
Sub-Stream	50 Hz: 25 fps (1280 × 720, 640 × 480, 640 × 360) 60 Hz: 30 fps (1280 × 720, 640 × 480, 640 × 360)
Third Stream	50 Hz: 10 fps (1920 × 1080, 1280 × 720, 640 × 480, 640 × 360) 60 Hz: 10 fps (1920 × 1080, 1280 × 720, 640 × 480, 640 × 360)
Fourth Stream	50 Hz: 10 fps (1280 × 720, 640 × 480, 640 × 360) 60 Hz: 10 fps (1280 × 720, 640 × 480, 640 × 360)

Video Compression	Main stream: H.265/H.264/H.264+/H.265+, Sub-stream: H.265/H.264/MJPEG, Third stream: H.265/H.264, Fourth stream: H.265/H.264/MJPEG
Video Bit Rate	32 Kbps to 16 Mbps
H.264 Type	Baseline Profile,Main Profile,High Profile
H.265 Type	Main Profile
Bit Rate Control	CBR,VBR
Scalable Video Coding (SVC)	H.264 and H.265 encoding
Region of Interest (ROI)	5 fixed regions for main stream and sub-stream
Target Cropping	Yes
<b>Audio</b>	
Audio Compression	G.711/G.722.1/G.726/MP2L2/PCM/MP3/AAC-LC
Audio Bit Rate	64 Kbps (G.711ulaw/G.711alaw)/16 Kbps (G.722.1)/16 Kbps (G.726)/32 to 192 Kbps (MP2L2)/8 to 320 Kbps (MP3)/16 to 64 Kbps (AAC-LC)
Audio Sampling Rate	8 kHz/16 kHz/32 kHz/44.1 kHz/48 kHz
Environment Noise Filtering	Yes
<b>Network</b>	
Protocols	TCP/IP, ICMP, HTTP, HTTPS, FTP, DHCP, DNS, DDNS, RTP, RTSP, NTP, UPnP, SMTP, IGMP, 802.1X, QoS, IPv4, IPv6, UDP, Bonjour, SSL/TLS, PPPoE, SFTP, ARP, SNMP, WebSocket, WebSockets, SRTP
Simultaneous Live View	Up to 6 channels
API	ONVIF (Profile S, Profile G, Profile T),ISAPI,SDK,ISUP
User/Host	Up to 32 users 3 user levels: administrator, operator, and user
Security	Password protection, complicated password, HTTPS encryption, 802.1X authentication (EAP-TLS, EAP-LEAP, EAP-MD5), watermark, IP address filter, basic and digest authentication for HTTP/HTTPS, WSSE and digest authentication for Open Network Video Interface, RTP/RTSP over HTTPS, control timeout settings, security audit log, TLS 1.1/1.2/1.3, host authentication (MAC address)
Network Storage	NAS (NFS, SMB/CIFS),Auto Network Replenishment (ANR), Together with high-end Hikvision memory card, memory card encryption and health detection are supported.
Client	iVMS-4200,Hik-Connect,Hik-Central
Web Browser	Plug-in required live view: IE 10, IE 11, Plug-in free live view: Chrome 57.0+, Firefox 52.0+, Edge 89+, Local service: Chrome 57.0+, Firefox 52.0+, Edge 89+
<b>Image</b>	
Image Parameters Switch	Yes
Image Settings	Rotate mode,saturation,brightness,contrast,sharpness,gain,white balance,adjustable by client software or web browser
Day/Night Switch	Day,Night,Auto,Schedule
Wide Dynamic Range (WDR)	120 dB
SNR	≥ 52 dB
Image Enhancement	BLC,HLC,3D DNR,Defog
Privacy Mask	4 programmable polygon privacy masks

<b>Interface</b>	
Ethernet Interface	1 RJ45 10 M/100 M self-adaptive Ethernet port
On-Board Storage	Built-in memory card slot, support microSD/microSDHC/microSDXC card, up to 512 GB
Built-in Microphone	Yes,1 built-in microphone
Audio	1 input (line in), two-core terminal block, max. input amplitude: 3.3 Vpp, input impedance: 4.7 K $\Omega$ , interface type: non-equilibrium, 1 output (line out), two-core terminal block, max. output amplitude: 3.3 Vpp, output impedance: 100 $\Omega$ , interface type: non-equilibrium
Alarm	1 input, 1 output (max. 12 VDC, 30 mA)
Reset Key	Yes
Power Output	12 VDC, max. 100 mA
<b>Event</b>	
Basic Event	Motion detection (support alarm triggering by specified target types (human and vehicle)),video tampering alarm,exception
Smart Event	scene change detection,audio exception detection,defocus detection, unattended baggage detection,object removal detection
Linkage	Upload to FTP/NAS/memory card,notify surveillance center,send email,trigger alarm output,trigger recording,trigger capture,audible warning
<b>Deep Learning Function</b>	
Perimeter Protection	Line crossing, intrusion, region entrance, region exiting Support alarm triggering by specified target types (human and vehicle)
Face Capture	Yes
People Counting	Yes
<b>General</b>	
Power	12 VDC $\pm$ 25%, 0.66 A, max. 8 W, $\varnothing$ 5.5 mm coaxial power plug,reverse polarity protection, PoE: IEEE 802.3af, Class 3, max. 9 W
Material	Base: aluminum, cover: plastic
Dimension	$\varnothing$ 110 mm $\times$ 57.4 mm ( $\varnothing$ 4.3" $\times$ 2.3")
Package Dimension	134 mm $\times$ 134 mm $\times$ 108 mm (5.3" $\times$ 5.3" $\times$ 4.3")
Weight	Approx. 385 g (0.8 lb.)
With Package Weight	Approx. 620 g (1.4 lb.)
Storage Conditions	-30 $^{\circ}$ C to 60 $^{\circ}$ C (-22 $^{\circ}$ F to 140 $^{\circ}$ F). Humidity 95% or less (non-condensing)
Startup and Operating Conditions	-30 $^{\circ}$ C to 60 $^{\circ}$ C (-22 $^{\circ}$ F to 140 $^{\circ}$ F). Humidity 95% or less (non-condensing)
Language	33 languages: English, Russian, Estonian, Bulgarian, Hungarian, Greek, German, Italian, Czech, Slovak, French, Polish, Dutch, Portuguese, Spanish, Romanian, Danish, Swedish, Norwegian, Finnish, Croatian, Slovenian, Serbian, Turkish, Korean, Traditional Chinese, Thai, Vietnamese, Japanese, Latvian, Lithuanian, Portuguese (Brazil), Ukrainian
General Function	Heartbeat,anti-banding,mirror,flash log,password reset via email,pixel counter
<b>Approval</b>	
EMC	CE-EMC: EN 55032: 2015, EN 61000-3-2:2019, EN 61000-3-3: 2013+A1:2019, EN 50130-4: 2011 +A1: 2014, IC: ICES-003: Issue 7, KC: KN32: 2015, KN35: 2015

Safety	UL: UL 62368-1, CB: IEC 62368-1: 2014+A11, CE-LVD: EN 62368-1: 2014/A11: 2017, BIS: IS 13252 (Part 1): 2010/IEC 60950-1: 2005, LOA: IEC/EN 60950-1
Environment	CE-RoHS: 2011/65/EU, WEEE: 2012/19/EU, Reach: Regulation (EC) No 1907/2006
Protection	IP67: IEC 60529-2013,IK08: IEC 62262:2002

### ▪ Typical Application

Hikvision products are classified into three levels according to their anti-corrosion performance. Refer to the following description to choose for your using environment.

This model has NO SPECIFIC PROTECTION.

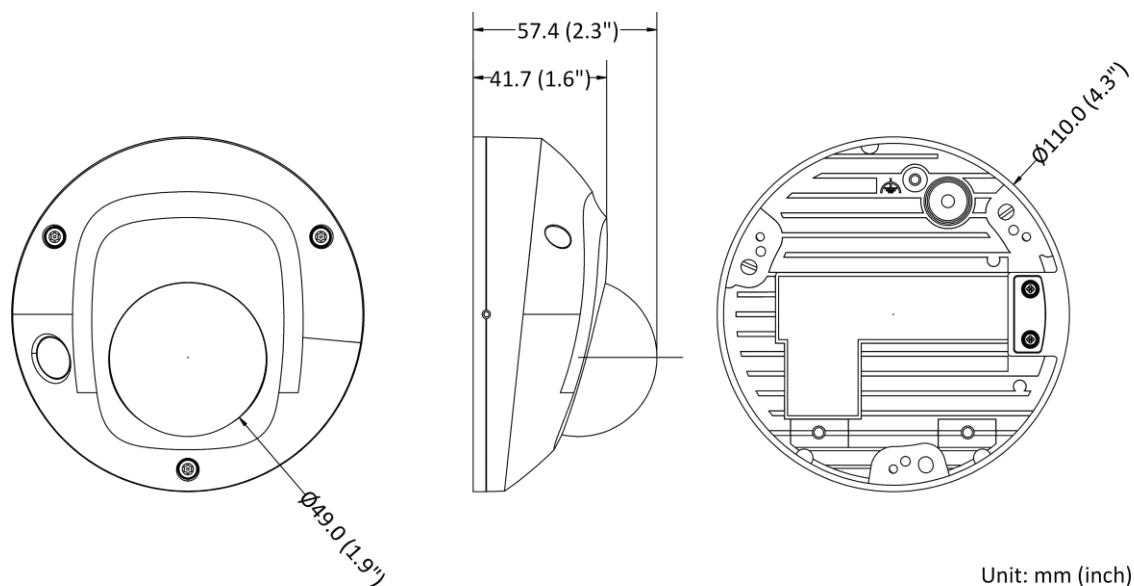
Level	Description
Top-level protection	Hikvision products at this level are equipped for use in areas where professional anti-corrosion protection is a must. Typical application scenarios include coastlines, docks, chemical plants, and more.
Moderate protection	Hikvision products at this level are equipped for use in areas with moderate anti-corrosion demands. Typical application scenarios include coastal areas about 2 kilometers (1.24 miles) away from coastlines, as well as areas affected by acid rain.
No specific protection	Hikvision products at this level are equipped for use in areas where no specific anti-corrosion protection is needed.

### ▪ Available Model

DS-2CD3566G2-IS(2.8mm)(H)

DS-2CD3566G2-IS(4mm)(H)

## Dimension



Unit: mm (inch)

## Accessory

### Optional

DS-1272ZJ-120 Wall mount	DS-1272ZJ-120B Wall mount	DS-1271ZJ-120 Pendant Mount	DS-1275ZJ-SUS Vertical pole mount	DS-1276ZJ-SUS Corner mount
DS-1280ZJ-DM46 Junction box	DS-2280ZJ-WA120 Junction box	DS-2210ZJ-WA-120 Pendant Mount	DS-2200ZJ-WA-120 Wall mount	DS-2200ZJ-WAJ-120 Wall mount

**Headquarters**

No.555 Qianmo Road, Binjiang District,  
Hangzhou 310051, China  
T +86-571-8807-5998  
[www.hikvision.com](http://www.hikvision.com)



Follow us on social media to get the latest product and solution information.



HIKVISION



HIKVISIONHQ



HIKVISIONHQ



HIKVISION\_Global



HIKVISION  
Corporate Channel



HIKVISIONHQ

Accessories / Brackets / Hikvision

# DS-1280ZJ-DM46-BLACK

HIKVISION



## Features

---

- Junction box for dome cameras
- Side and bottom input
- Aluminium alloy
- 37.22 (H) x 120 (?) mm
- 250 g
- Black colour

## Specifications

---

<b>Dimensions</b>	37.22 (H) x 120 (?) mm
-------------------	------------------------

---

<b>Maximum load</b>	4.5Kg
---------------------	-------

---

<b>Weight</b>	250g
---------------	------

---

<b>Use</b>	Valid for interior/exterior
------------	-----------------------------

---

<b>Composition</b>	Aluminium alloy
--------------------	-----------------

---

<b>Colour</b>	black
---------------	-------

---

## DS-2CD2387G2P-LSU/SL 8 MP Panoramic Fixed Turret Network Camera

ColorVu



Hikvision ColorVu technology provides 24/7 vivid colorful images with F1.0 advanced lenses, high performance sensors and friendly lighting. F1.0 super-aperture collects more light to produce brighter images. Advanced sensor technology can vastly improve the utilization of available light.

- High quality imaging with 8 MP resolution
- One image that presents all the scenes covered by the camera
- 24/7 colorful imaging
- Efficient H.265+ compression technology
- Clear imaging against strong back light due to 130 dB WDR technology
- Focus on human and vehicle classification based on deep learning
- Active strobe light and audio alarm to warn intruders off
- Water and dust resistant (IP67)

## ▪ Specification

Camera	
Image Sensor	2 × 1/1.8" Progressive Scan CMOS
Max. Resolution	5120 × 1440
Min. Illumination	Color: 0.0005 Lux @ (F1.0, AGC ON), 0 Lux with light
Shutter Time	1/3 s to 1/100,000 s
Angle Adjustment	Pan: 0° to 30°, tilt: -75° to 75°
Lens	
Lens Type	Fixed focal lens, Dual lens: 4 mm
Focal Length & FOV	4 mm, horizontal FOV: 180°, vertical FOV: 44°
Lens Mount	M16
Iris Type	Fixed
Aperture	F1.0
Depth of Field	3.6 m to ∞
DORI	
DORI	4 mm, D: 77 m, O: 30 m, R: 15 m, I: 7 m
Illuminator	
Supplement Light Type	White Light
Supplement Light Range	Up to 30 m
Smart Supplement Light	Yes
Video	
Main Stream	When WDR is On: 50 Hz: 12.5 fps (5120 × 1440) 60 Hz: 15 fps (5120 × 1440) When WDR is Off: 50 Hz: 20 fps (5120 × 1440) 60 Hz: 20 fps (5120 × 1440)
Sub-Stream	When WDR is On: 50 Hz: 12.5 fps (1920 × 536, 960 × 272) 60 Hz: 15 fps (1920 × 536, 960 × 272) When WDR is Off: 50 Hz: 20 fps (1920 × 536, 960 × 272) 60 Hz: 20 fps (1920 × 536, 960 × 272)
Video Compression	Main stream: H.265+/H.265/H.264+/H.264, Sub-stream: H.265/H.264/MJPEG
Video Bit Rate	32 Kbps to 16 Mbps
H.264 Type	Baseline Profile, Main Profile, High Profile
H.265 Type	Main Profile
Bit Rate Control	CBR, VBR
Scalable Video Coding (SVC)	H.264 and H.265 encoding
Region of Interest (ROI)	1 fixed region for main stream
Audio	
Audio Type	Mono sound
Audio Compression	G.711/G.722.1/G.726/MP2L2/PCM/MP3/AAC-LC

Audio Bit Rate	64 Kbps (G.711ulaw/G.711alaw)/16 Kbps (G.722.1)/16 Kbps (G.726)/32 to 192 Kbps (MP2L2)/8 to 320 Kbps (MP3)/16 to 64 Kbps (AAC-LC)
Audio Sampling Rate	8 kHz/16 kHz/32 kHz/44.1 kHz/48 kHz
Environment Noise Filtering	Yes
<b>Network</b>	
Protocols	TCP/IP, ICMP, HTTP, HTTPS, FTP, DHCP, DNS, DDNS, RTP, RTSP, RTCP, PPPoE, NTP, UPnP, SMTP, SNMP, IGMP, 802.1X, QoS, IPv4, IPv6, UDP, Bonjour, SSL/TLS, ISUP, ARP, WebSocket, WebSockets
Simultaneous Live View	Up to 6 channels
API	Open Network Video Interface (Profile S, Profile G, Profile T), ISAPI, SDK, ISUP
User/Host	Up to 32 users 3 user levels: administrator, operator, and user
Security	Password protection, complicated password, HTTPS encryption, 802.1X authentication (EAP-MD5), watermark, IP address filter, basic and digest authentication for HTTP/HTTPS, WSSE and digest authentication for Open Network Video Interface, RTP/RTSP over HTTPS, control timeout settings, security audit log, TLS 1.2, host authentication (MAC address)
Network Storage	NAS (NFS, SMB/CIFS), Auto Network Replenishment (ANR), NVR, Together with high-end Hikvision memory card, memory card encryption and health detection are supported.
Client	iVMS-4200, Hik-Connect, Hik-Central
Web Browser	Plug-in required live view: IE 10, IE 11 , Plug-in free live view: Chrome 57.0+, Firefox 52.0+, Edge 89+, Local service: Chrome 57.0+, Firefox 52.0+, Edge 89+
<b>Image</b>	
Image Parameters Switch	Yes
Image Settings	saturation, brightness, contrast, sharpness, gain, white balance, adjustable by client software or web browser
Day/Night Switch	Day, Night, Auto, Schedule
Wide Dynamic Range (WDR)	130 dB
SNR	≥ 52 dB
Image Enhancement	BLC, HLC, 3D DNR
Privacy Mask	8 rectangular privacy masks
<b>Interface</b>	
Ethernet Interface	1 RJ45 10 M/100 M self-adaptive Ethernet port
On-Board Storage	Built-in memory card slot, support microSD/microSDHC/microSDXC card, up to 512 GB
Built-in Microphone	Yes
Built-in Speaker	Max. power consumption: 1.2 W, max. sound pressure: 10 cm: 95 dB
Audio	1 input (line in), terminal block, max. input amplitude: 3.3 Vpp, input impedance: 4.7 KΩ, interface type: non-equilibrium, 1 output (line out), terminal block, max. output amplitude: 3.3 Vpp, output impedance: 100 Ω, interface type: non-equilibrium
Alarm	1 input, 1 output (max. 24 VDC, 1 A)
Reset Key	Yes

Event	
Basic Event	Motion detection (support alarm triggering by specified target types (human and vehicle)), alarm input and output, flashing alarm light output, audible alarm output, exception
Smart Event	scene change detection
Linkage	Upload to FTP/NAS/memory card, notify surveillance center, send email, trigger alarm output, trigger recording, trigger capture, audible warning, white light flashing
Deep Learning Function	
Perimeter Protection	Line crossing, intrusion, region entrance, region exiting Support alarm triggering by specified target types (human and vehicle)
General	
Power	12 VDC $\pm$ 25%, 0.88 A, max. 10.5 W, $\varnothing$ 5.5 mm coaxial power plug, PoE: IEEE 802.3af, Class 3, 36 V to 57 V, 0.35 A to 0.22 A, max. 12.5 W
Material	Base: metal, cover: metal
Dimension	$\varnothing$ 155 mm $\times$ 155.3 mm ( $\varnothing$ 6.1" $\times$ 6.1")
Package Dimension	230 mm $\times$ 230 mm $\times$ 230 mm (9" $\times$ 9" $\times$ 9")
Weight	Approx. 1110 g (2.4 lb.)
With Package Weight	Approx. 1900 g (4.2 lb.)
Storage Conditions	-30 °C to 60 °C (-22 °F to 140 °F). Humidity 95% or less (non-condensing)
Startup and Operating Conditions	-30 °C to 60 °C (-22 °F to 140 °F). Humidity 95% or less (non-condensing)
Language	33 languages: English, Russian, Estonian, Bulgarian, Hungarian, Greek, German, Italian, Czech, Slovak, French, Polish, Dutch, Portuguese, Spanish, Romanian, Danish, Swedish, Norwegian, Finnish, Croatian, Slovenian, Serbian, Turkish, Korean, Traditional Chinese, Thai, Vietnamese, Japanese, Latvian, Lithuanian, Portuguese (Brazil), Ukrainian
General Function	Anti-banding, heartbeat, password reset via email, password protection, one-key reset
Flashing Light	Yes
Approval	
EMC	FCC: 47 CFR Part 15, Subpart B, CE-EMC: EN 55032: 2015, EN 61000-3-2:2019, EN 61000-3-3: 2013+A1:2019, EN 50130-4: 2011 +A1: 2014, RCM: AS/NZS CISPR 32: 2015, IC: ICES-003: Issue 7
Safety	UL: UL 62368-1, CB: IEC 62368-1: 2014+A11, CE-LVD: EN 62368-1: 2014/A11: 2017
Environment	CE-RoHS: 2011/65/EU, WEEE: 2012/19/EU, Reach: Regulation (EC) No 1907/2006
Protection	IP67: IEC 60529-2013

## ▪ Typical Application

Hikvision products are classified into three levels according to their anti-corrosion performance. Refer to the following description to choose for your using environment.

This model has NO SPECIFIC PROTECTION.

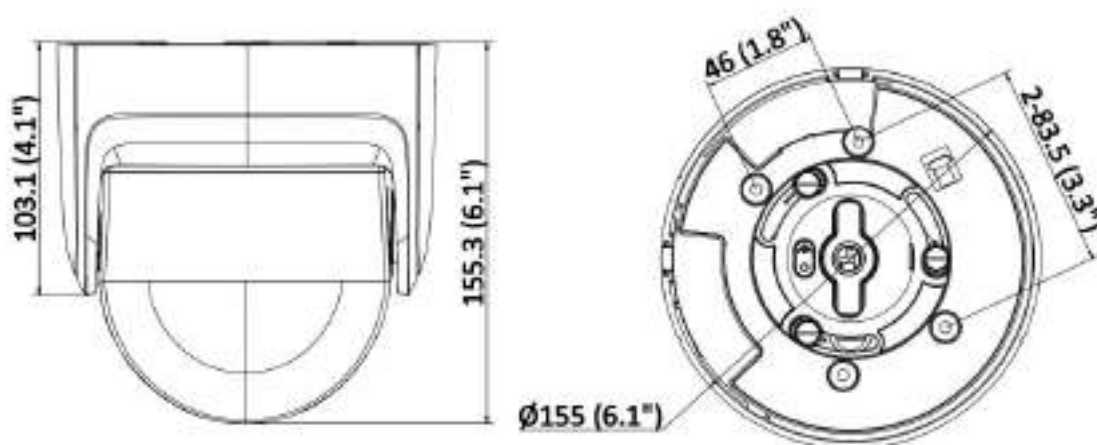
Level	Description
Top-level protection	Hikvision products at this level are equipped for use in areas where professional anti-corrosion protection is a must. Typical application scenarios include coastlines, docks, chemical plants, and more.
Moderate protection	Hikvision products at this level are equipped for use in areas with moderate anti-corrosion demands. Typical application scenarios include coastal areas about 2 kilometers (1.24 miles) away from coastlines, as well as areas affected by acid rain.
No specific protection	Hikvision products at this level are equipped for use in areas where no specific anti-corrosion protection is needed.

## ▪ Available Model

DS-2CD2387G2P-LSU/SL(4mm)(C)

DS-2CD2387G2P-LSU/SL(4mm)(C)/海康黑






## ▪ Dimension



Unit:mm (inch)

▪ **Accessory**

▪ **Optional**

DS-1473ZJ-155 Wall mount	DS-1471ZJ-155 Pendant Mount	DS-1473ZJ-155B Wall mount	DS-1471ZJ-155(Black) Pendant Mount	DS-1473ZJ-155(Black) Wall mount
				
<p data-bbox="134 689 365 741"><b>DS-1473ZJ-155B(Black) Wall mount</b></p> 				

*\*Please choose accessories of the same color as the camera.*

**Headquarters**

No.556 Qianmo Road, Binjiang District,  
Hangzhou 310051, China  
T: +86-571-8817-5908  
www.hikvision.com



Follow us on social media to get the latest product and solution information.



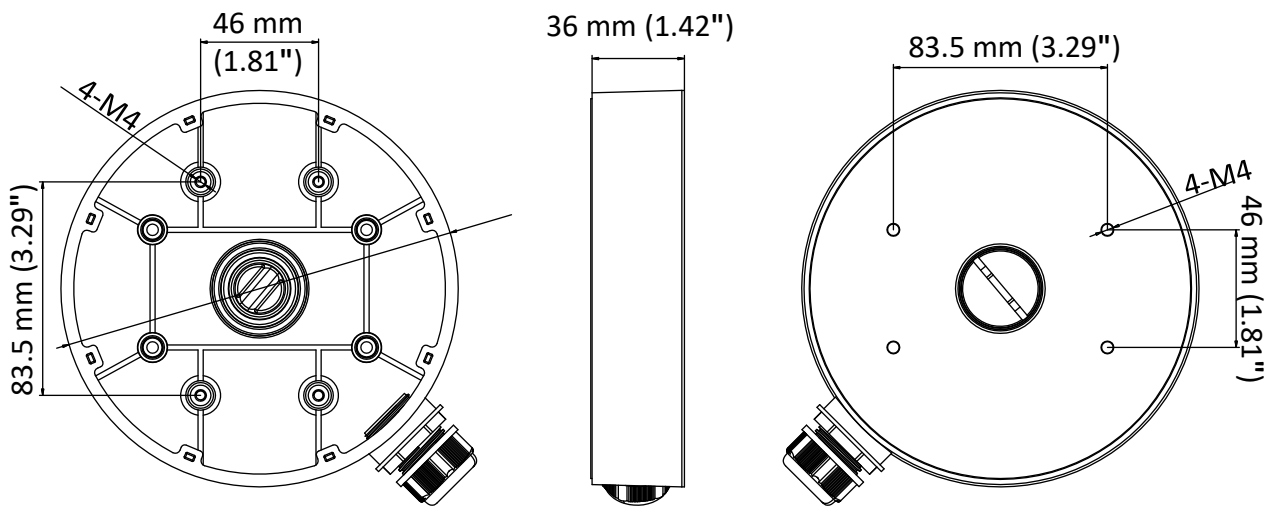
# DS-1280ZJ-DM55

## Junction Box

### Features

- Aluminum alloy with surface spray treatment
- With cable outlet(s)
- Applies to both indoor conditions, and outdoor conditions

### Dimension



### Available Model

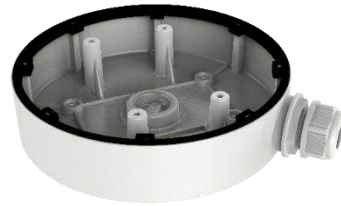
DS-1280ZJ-DM55

### Parameter

Model	DS-1280ZJ-DM55
Parameters	Junction Box
Appearance	Hikvision White
Material	Aluminum Alloy
Dimension	Φ 155 mm × 36 mm (Φ 6.1" × 1.42")
Weight	300 g (0.66 lb.)

### Notes

- The mount should be installed on the flat surface.
- Waterproof rubber is necessary for the outdoor application.
- The wall must be capable of supporting at least 3 times as much as the total weight of the camera, and the junction box.
- The maximum load capacity of the junction box is 2 kg (4.4 lb.).



## DS-2SF8C425MXG-ELW/26 4 MP 25 × TandemVu PTZ Camera



Hikvision has been dedicated to develop products with security since established. Hikvision always follows security by design principle and has adopted many methods of security technologies into our product development lifecycle, including terminal security, data security, application security, network security, and privacy protection. In the meantime, the security technologies used by Hikvision are all in compliance with local applicable laws and safety regulations. These security measures could enhance product's cyber security defense capability and protect your devices as well as your data from malicious cyber attacks.

- Captures a large area and great details at the same time
- High quality imaging with 6 MP resolution for bullet channel
- 24/7 colorful imaging and excellent low-light performance with DarkFighter technology
- Panoramic channel tilt adjustable from 12° to 24°
- Secures an expansive area with 25 × optical zoom and 16 × digital zoom
- Expansive night view with up to 30 m white light distance and 300 m IR distance
- Supports deep learning functions
- Water and dust resistant (IP67) and vandal resistant (IK10)

## ▪ Specification

Camera	
Image Sensor	[Panoramic channel] 1/1.8" Progressive Scan CMOS, [PTZ channel] 1/1.8" Progressive Scan CMOS
Min. Illumination	[PTZ channel] Color: 0.0005 Lux @ (F1.3, AGC ON), B/W: 0.0001 Lux @ (F1.3, AGC ON), 0 lux with IR,[Panoramic channel] Color: 0.005 Lux @ (F1.4, AGC ON), B/W: 0.001 Lux @ (F1.4, AGC ON), 0 Lux with light
Shutter Speed	1 s to 1/30000 s
Slow Shutter	Yes
Day & Night	[Panoramic channel] Color, [PTZ channel] IR cut filter
Zoom	[PTZ channel] 25 × optical, 16 × digital
Max. Resolution	[Panoramic channel] 3632 × 1632, [PTZ channel] 2560 × 1440
Lens	
FOV	[Panoramic channel] horizontal field of view: 190° ± 5°, vertical field of view: 80° ± 5°, [PTZ channel] horizontal field of view: 58.5° to 3.1°, vertical field of view: 34° to 1.7°, diagonal field of view: 65.8° to 3.5°
Zoom Speed	[Panoramic channel] No, [PTZ channel] approx. 5.6 s
Focus	Auto,semi-auto>manual
Focal Length	[Panoramic channel] 2.8 mm, [PTZ channel] 6 to 150 mm
Aperture	[Panoramic channel] F1.0, [PTZ channel] F1.6
Illuminator	
Supplement Light Range	[Panoramic channel] white light: up to 30 m, [PTZ channel] IR: up to 300 m
Smart Supplement Light	Yes
PTZ	
Movement Range (Pan)	360° endless
Movement Range (Tilt)	[Panoramic channel] 12° to 24°, [PTZ channel] -20° to 90°
Pan Speed	[PTZ channel] pan speed: configurable from 0.1° to 160°/s, preset speed: 240°/s
Tilt Speed	[PTZ channel] tilt speed: configurable from 0.1° to 120°/s, preset speed 200°/s,[Panoramic channel] tilt speed configurable
Proportional Pan	[Panoramic channel] No, [PTZ channel] Yes
Presets	300
Patrol Scan	8 patrols, up to 32 presets for each patrol
Pattern Scan	4 pattern scans, record time over 10 minutes for each scan
Power-off Memory	Yes
Park Action	Preset,pattern scan,patrol scan,auto scan,tilt scan,random scan,frame scan,panorama scan
3D Positioning	Yes
PTZ Status Display	Yes
Preset Freezing	Yes
Scheduled Task	Preset,pattern scan,patrol scan,auto scan,tilt scan,random scan,frame scan,panorama scan,dome reboot,dome adjust,aux output
Video	
Main Stream	[PTZ channel] 50 Hz: 25 fps (2560 × 1440, 1920 × 1080, 1280 × 960, 1280 × 720), 60 Hz: 30 fps (2560 × 1440, 1920 × 1080, 1280 × 960, 1280 × 720),[Panoramic channel] 50 Hz: 25 fps (3680 × 1656 , 3632 × 1632), 60 Hz: 30 fps (3680 × 1656 , 3632 × 1632)

Sub-Stream	[PTZ channel] 50 Hz: 25 fps (704 × 576 , 640 × 480 , 352 × 288), 60 Hz: 30 fps (704 × 576 , 640 × 480 , 352 × 288),[Panoramic channel] 50 Hz: 25 fps (1200 × 536、960x432), 60 Hz: 30 fps (1200 × 536、960x432)
Third Stream	[PTZ channel] 50 Hz: 25 fps (1920 × 1080, 1280 × 960, 1280 × 720, 704 × 576, 640 × 480, 352 × 288), 60 Hz: 30 fps (1920 × 1080, 1280 × 960, 1280 × 720, 704 × 480, 640 × 480, 352 × 240),[Panoramic channel] No
Video Compression	Main stream: H.265+/H.265/H.264+/H.264, Sub-stream: H.265/H.264/MJPEG, Third stream: H.265/H.264/MJPEG
Video Bit Rate	32 Kbps to 16 Mbps
H.264 Type	Baseline profile,Main profile,High profile
H.265 Type	Main profile
Scalable Video Coding (SVC)	H.264 and H.265 encoding
Region of Interest (ROI)	8 fixed regions for each stream
<b>Audio</b>	
Audio Compression	G.711,G.722.1,G.726,MP2L2,PCM,AAC-LC
Audio Bit Rate	32 to 192 Kbps (MP2L2),16 to 64Kbps (AAC-LC)
Audio Sampling Rate	8 kHz,16 kHz,32 kHz,48 kHz
Environment Noise Filtering	Yes
<b>Network</b>	
API	ISUP,ISAPI,SDK,ONVIF
Network Storage	NAS (NFS, SMB/CIFS),auto network replenishment (ANR)
Protocols	IPv4/IPv6,HTTP,HTTPS,802.1X,QoS,SMTP,UPnP,SNMP,DNS,DDNS,NTP,RTSP,RTCP,RTP,TCPIP,UDP,IGMP,ICMP,DHCP,PPPoE,Bonjour,FTP
Simultaneous Live View	Up to 20 channels
User/Host	Up to 32 users. 3 user levels: administrator, operator, and user
Security	Password protection,complicated password,IP address filter,HTTPS encryption,802.1X authentication (EAP-TLS, EAP-LEAP, EAP-MD5),host authentication (MAC address),watermark
Client	iVMS-4200,HikCentral Pro,Hik-Connect
Web Browser	IE 10+, Chrome 57+, Firefox 52+, Safari 12+
<b>Image</b>	
Wide Dynamic Range (WDR)	[Panoramic channel] 120 dB, [PTZ channel] 120 dB
Day/Night Switch	Day,night,auto,schedule
Privacy Mask	[Panoramic channel] 8 programmable polygon privacy masks, [PTZ channel] 24 programmable polygon privacy masks; mask color or mosaic configurable
Image Enhancement	HLC,3D DNR
Defog	Digital defog
Image Stabilization	EIS (Built-in gyroscope to improve EIS performance)
Regional Exposure	Yes
Regional Focus	[Panoramic channel] No, [PTZ channel] Yes
Image Settings	Saturation, brightness, contrast, sharpness, gain, and white balance adjustable by client software or web browser
Image Parameters Switch	Yes
SNR	≥ 52 dB

<b>Supplement Detection</b>	
Satellite Positioning	No
Gyroscope	Yes
Compass	No
<b>Interface</b>	
Ethernet Interface	1 RJ45 100M self-adaptive Ethernet port
On-board Storage	Built-in memory card slot, support microSD/microSDHC/microSDXC card, up to 256 GB
Alarm	7 input(s), 2 output(s)
Audio	1 input (line in), max. input amplitude: 2-2.4 vpp, input impedance: 1 K $\Omega$ $\pm$ 10%, 1 output (line out), line level, output impedance: 600 $\Omega$
RS-485	1 RS-485 (Half duplex, HIKVISION, Pelco-P, Pelco-D, self-adaptive)
Reset	Yes
<b>Event</b>	
Basic Event	[PTZ channel & panoramic channel] alarm input and output, exception,[PTZ channel] video tampering alarm
Smart Event	[Panoramic channel] line crossing detection, intrusion detection, region entrance detection, region exiting detection,[PTZ channel] line crossing detection, intrusion detection, region entrance detection, region exiting detection
Linkage	[Panoramic channel] Upload to FTP/NAS/memory card, notify surveillance center, send email, trigger alarm output, trigger recording, audible warning, white light flashing, [PTZ channel] Upload to FTP/NAS/memory card, notify surveillance center, send email, trigger alarm output, trigger recording, and PTZ actions (such as preset, patrol scan, pattern scan)
Smart Tracking	[PTZ channel] yes
Smart Linkage	Manual tracking, tracking takeover, linked tracking capture
<b>Deep Learning Function</b>	
Multi-Target-Type Detection	[PTZ channel] Supports simultaneous detection and capture of human body and face
Perimeter Protection	PTZ and Panoramic channel both support
<b>General</b>	
General Function	mirror,password protection
Power	36 VDC $\pm$ 25%, max. 60 W, Hi-PoE,including max. 6 W for heater and max. 3 W for supplement light of panoramic channel, and max. 6 W for heater and max. 12 W for supplement light of PTZ channel
Operating Condition	-40 $^{\circ}$ C to 70 $^{\circ}$ C (-40 $^{\circ}$ F to 158 $^{\circ}$ F). Humidity 95% or less (non-condensing),For speaker: -30 $^{\circ}$ C to 55 $^{\circ}$ C (-22 $^{\circ}$ F to 131 $^{\circ}$ F)
Wiper	Yes
Demist	Yes
Material	ADC12
Dimension	$\varnothing$ 290 mm $\times$ 453.2 mm ( $\varnothing$ 11.42" $\times$ 17.84")
Weight	Approx. 10.5 kg ( 23.15 lb.)
Language	33 languages: English, Russian, Estonian, Bulgarian, Hungarian, Greek, German, Italian, Czech, Slovak, French, Polish, Dutch, Portuguese, Spanish, Romanian, Danish, Swedish, Norwegian, Finnish, Croatian, Slovenian, Serbian, Turkish, Korean, Traditional Chinese, Thai, Vietnamese, Japanese, Latvian, Lithuanian, Portuguese (Brazil), Ukrainian

Approval	
EMC	FCC (47 CFR Part 15, Subpart B),CE-EMC (EN 55032: 2015, EN 61000-3-2: 2019, EN 61000-3-3: 2013 + A1: 2019, EN 50130-4: 2011 + A1: 2014),RCM (AS/NZS CISPR 32: 2015),IC (ICES-003: Issue 7),KC (KN 32: 2015, KN 35: 2015)
Safety	UL (UL 62368-1),CB (IEC 62368-1: 2014 + A11),CE-LVD (EN 62368-1: 2014/A11: 2017),BIS (IS 13252 (Part 1): 2010/IEC 60950-1: 2005),LOA (IEC/EN 60950-1)
Environment	CE-RoHS (2011/65/EU),WEEE (2012/19/EU),Reach (Regulation (EC) No 1907/2006)
Protection	IP67 (IEC 60529-2013),TVS 6000 V lightning protection, surge protection and voltage transient protection,IK10 (IEC 62262:2002)

## ▪ DORI

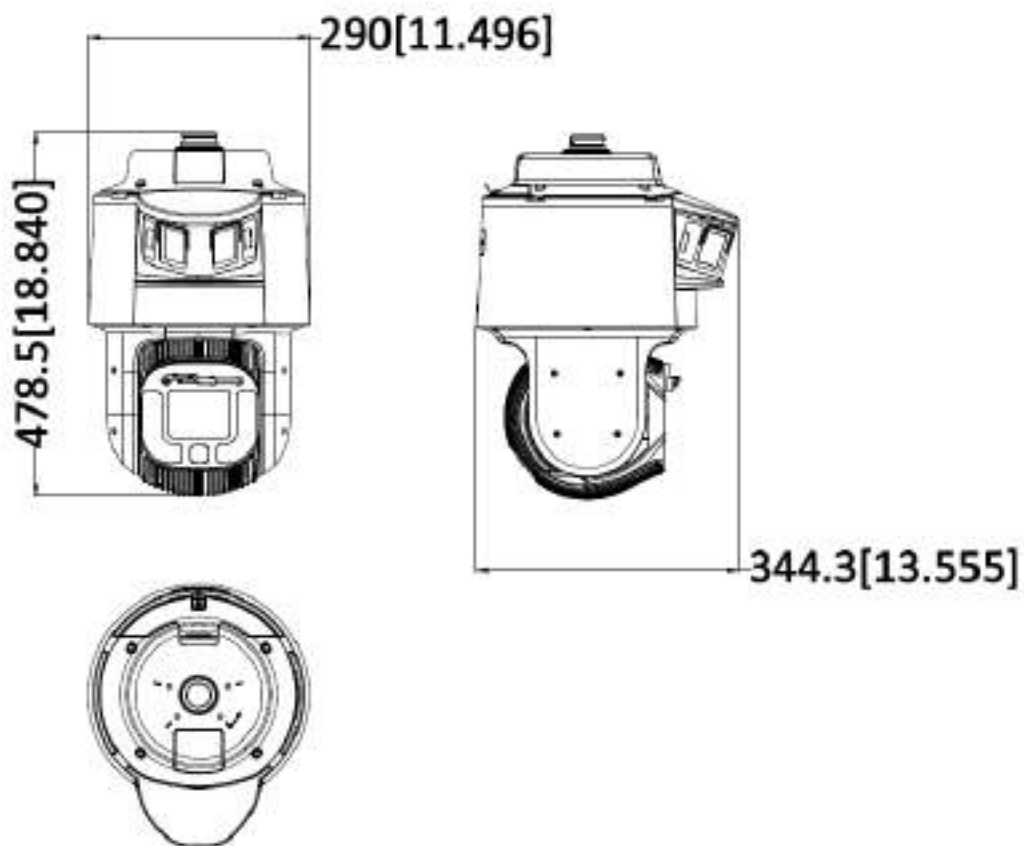
The DORI (detect, observe, recognize, identify) distance gives the general idea of the camera ability to distinguish persons or objects within its field of view. It is calculated based on the camera sensor specification and the criteria given by EN 62676-4: 2015.

DORI	Detect	Observe	Recognize	Identify
Definition	25 px/m	63 px/m	125 px/m	250 px/m
[Bullet channel] Distance	77.0m	30.5m	15.4m	7.7m
[PTZ channel] Distance (Tele)	2965.5m	1176.8m	593.1m	296.6m

## ▪ Available Model

DS-2SF8C425MXG-ELW/26(F0)

## ▪ Dimension



Unit: mm [inch]

SCALE	1:1
-------	-----

▪ **Accessory**

▪ **Optional**

DS-1603ZJ-P Wall mount	DS-1661ZJ-P Pendant Mount	DS-1603ZJ-Pole-P Vertical pole mount
---------------------------	------------------------------	---



**Headquarters**

No.555 Qianmo Road, Binjiang District,  
Hangzhou 310051, China  
T: +86-571-8807-5008  
www.hikvision.com



Follow us on social media to get the latest product and solution information.



HIKVISION



HIKVISIONHQ



HIKVISIONHQ



HIKVISION\_Global

HIKVISION  
Corporate Channel

HIKVISIONHQ

# DS-1603ZJ-P

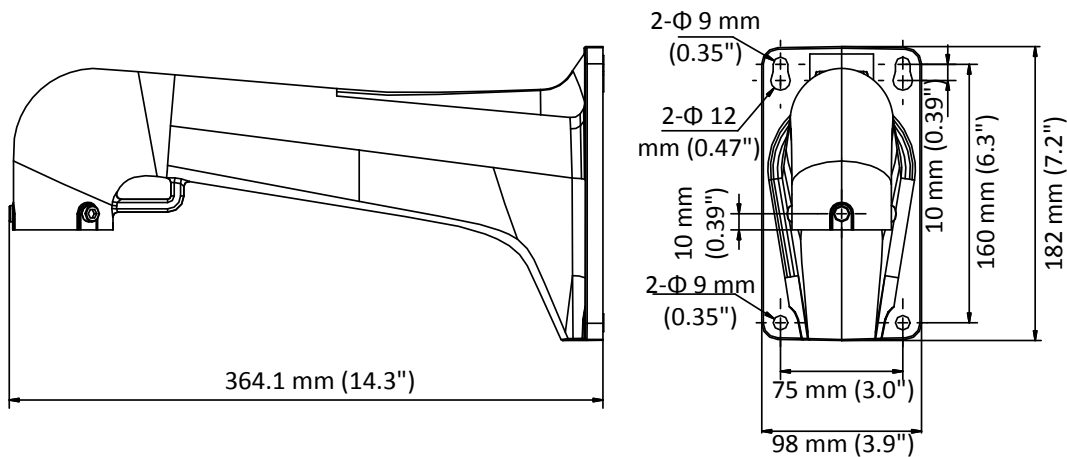
Wall Mount for PanoVu



## Feature

- Aluminum alloy with surface spray treatment
- The hook for safety rope facilitates camera's installation
- Waterproof design

## Dimension



## Available Model

DS-1603ZJ-P

## Parameter

Model	DS-1603ZJ-P
Parameters	Wall Mount for PanoVu
Appearance	Platinum Gray
Material	Aluminum Alloy
Dimension	364.1 mm × 182.0 mm (14.3" × 7.2")
Weight	1400 g (3.09 lb.)

## Note

- The mount should be installed on the flat surface.
- The waterproof rubber is necessary for the outdoor application.
- The wall must be capable of supporting at least 3 times as much as the total weight of the camera and the mount.
- The mount's maximum load capacity is 20 kg (44 lb.).

## DS-1678ZJ

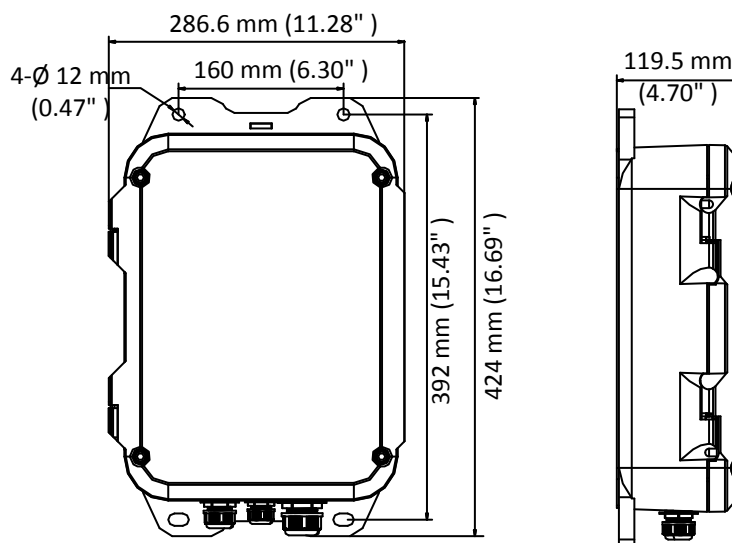
### Terminal Box



#### Feature

- Aluminum alloy with surface spray treatment
- The terminal box facilitates the cable wiring

#### Dimension



#### Available Model

DS-1678ZJ

#### Parameter

Model	DS-1678ZJ
Parameters	Terminal Box
Appearance	Hikvision white
Material	Aluminum alloy
Dimension	424 mm × 286.6 mm × 119.5 mm (16.69" × 11.28" × 4.70")
Weight	6.2 kg (13.67 lb.)

#### Note

- The installation surface must be capable of supporting at least 8 times as much as the total weight of the camera, and the terminal box.
- The terminal box's maximum load capacity is 10 kg (22 lb.).

## iDS-96128NXI-H24R/LCD 128-ch 4U 8K DeepinMind Super NVR

### Key Feature

- Up to 128-ch IP camera inputs
- Up to 512 Mbps incoming bandwidth and 512 Mbps outgoing bandwidth
- H.265+/H.265/H.264+/H.264 video formats
- RAID 0, 1, 5, 6, 10 and N+M hot spare for even more reliable data storage, effectively avoids data loss risks
- Various AI functions, including facial recognition, perimeter protection powered by large model, video structuralization, and AcuSearch
- Intelligent analytics based on deep learning algorithm
- All channels perimeter protection powered by large model
- Up to 72-ch facial recognition for video stream, or up to 128-ch facial recognition for face picture
- Up to 54-ch video structuralization
- Up to 36-ch AcuSearch
- Up to 8-ch IP speakers can be connected
- Redundant power supply
- 7-inch LCD touch-screen



### Profession and Reliability

- H.265+ compression effectively reduces the storage space by up to 75%
- Dual-stream recording saves bandwidth
- Adopt stream over TLS encryption technology which provides more secure stream transmission service
- Support double verification for playback and downloading

### HD Video Output

- Provide independent HDMI, VGA, DP and V-DP outputs
- HDMI video output at up to 8K resolution or dual 4K resolution

### Storage and Playback

- Up to 24 SATA interfaces for HDD connection
- Up to 16-ch synchronous playback

## Smart & POS Function

- Support multiple VCA (Video Content Analytics) events
- Configurable special camera smart functions, such as VCA detection (motion, line crossing, intrusion, etc.), heat map, ANPR (Automatic Number-Plate Recognition), and people counting
- POS information overlay on live view and playback, and POS triggered recording and alarm

## Network & Ethernet Access

- 4 self-adaptive 10M/100M/1000M/2500M Ethernet interfaces
- Hik-Connect & DDNS (Dynamic Domain Name System) for easy network management
- Smooth streaming technology
- Support web access without plug-in

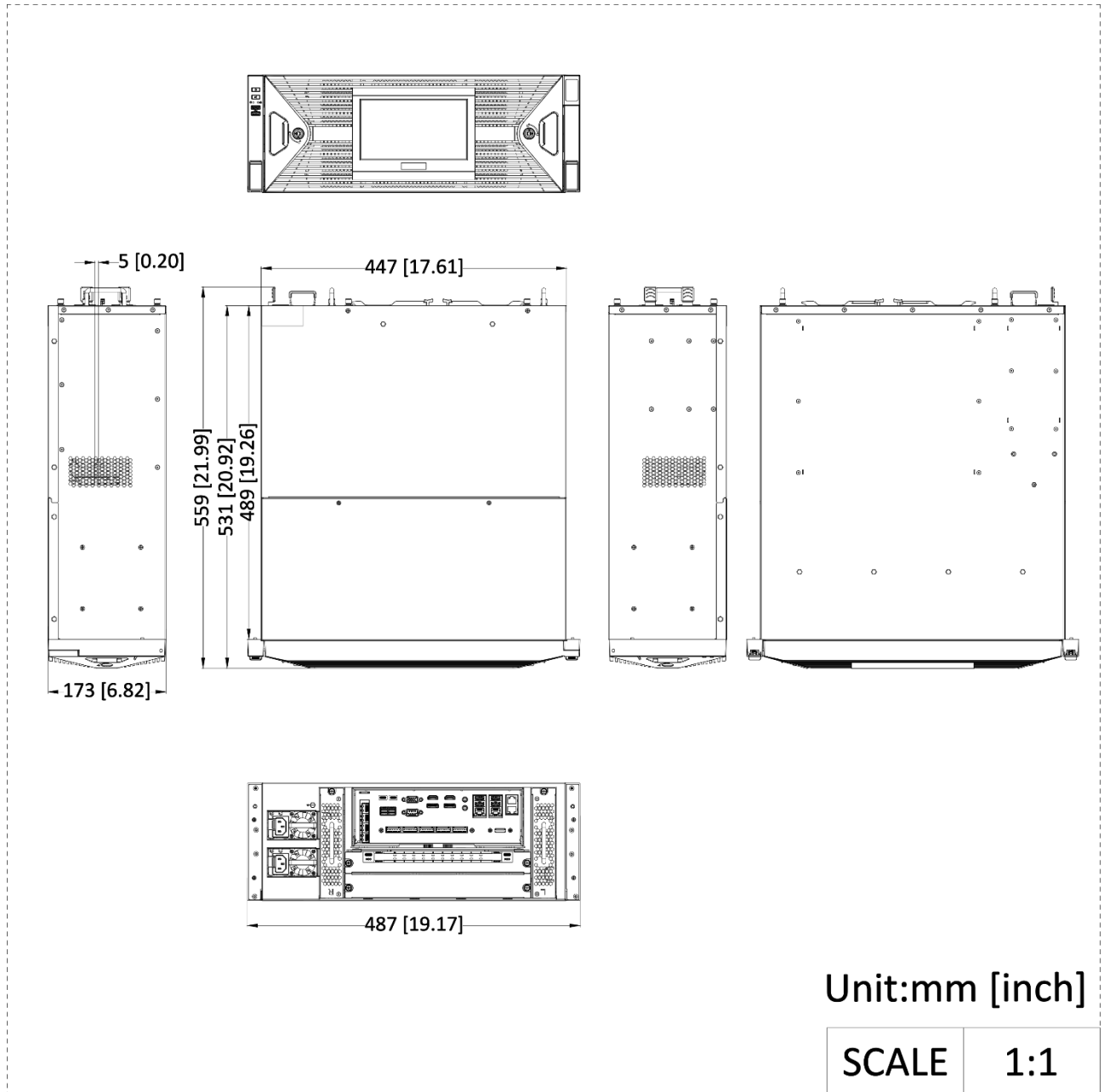
### ▪ Specification

Intelligent Analytics	
AI by NVR	Facial recognition, perimeter protection, video structuralization, AcuSearch
AI by Camera	Facial recognition, perimeter protection, video structuralization, motion detection2.0, ANPR, people counting, VCA
Engine	9, each engine can run an intelligent algorithm, engine mode is adjustable
Facial Recognition	
Facial Detection and Analytics	Face picture comparison, human face capture, face picture search
Face Attributes	Wearing glasses, wearing a mask, facial expression, body temperature
Face Picture Library	Up to 64 face picture libraries, up to 500,000 face pictures in list library, up to 300,000 face pictures in stranger library, up to 50,000,000 face pictures in face capture (each picture ≤ 6 MB, total capacity ≤ 40 GB)
Face Picture Comparison	128-ch face picture comparison alarm (xxx face picture comparison per second)
Facial Detection and Analytics Performance	Each engine supports 8-ch 4 MP or 4-ch 8 MP face capture, 24 face pictures per second
AcuSearch	
By NVR	Up to 36-ch (4-ch for each engine)
By Camera	All channels *: The camera should enable AcuSearch function
Perimeter Protection	
By NVR	Perimeter protection without large model (each engine): 12-ch 2 MP or 8-ch 4 MP or 4-ch 8 MP Perimeter protection powered by large model (each engine): 8 images per second
By Camera	Perimeter protection powered by large model with AcuSense cameras: All channels

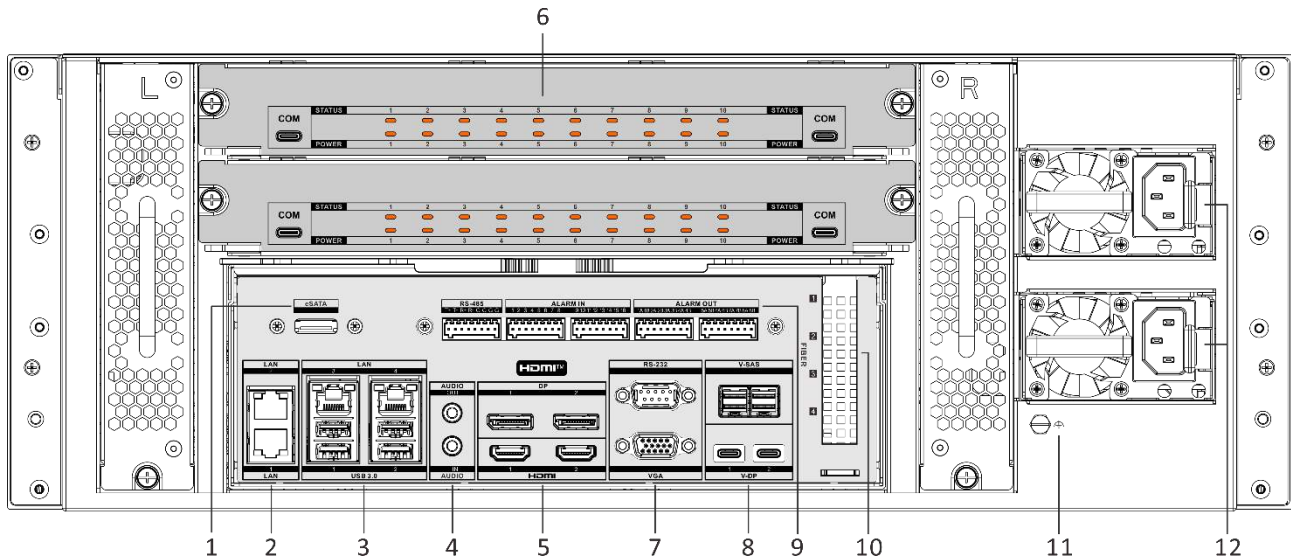
Video Structuralization	
Structured Analysis	54-ch 2 MP (6-ch for each engine), up to 8 MP
Video and Audio	
IP Video Input	128-ch
Incoming Bandwidth	512 Mbps
Outgoing Bandwidth	512 Mbps
HDMI 1 Output	4K (4096 × 2160)/30 Hz, 4K (3840 × 2160)/30 Hz, 2K (2560 × 1440)/60 Hz, 1920 × 1080/60 Hz
HDMI 2 Output	4K (4096 × 2160)/30 Hz, 4K (3840 × 2160)/30 Hz, 2K (2560 × 1440)/60 Hz, 1920 × 1080/60 Hz
VGA 1 Output	1920 × 1080/60 Hz
Audio Output	1-ch, 3.5mm
Two-Way Audio	1-ch, 3.5mm
Synchronous Playback	16-ch
Incoming Bandwidth (RAID Mode)	512 Mbps
Outgoing Bandwidth (RAID mode)	512 Mbps
VGA Output	1920 × 1080/60 Hz
Video Output Mode	<p>Provide 4 groups of video outputs. The video outputs in the same group provide simultaneous output, and the video outputs between each group provide independent output.</p> <p>Group 1: HDMI 1/VGA/LCD</p> <p>Group 2: HDMI 2</p> <p>Group 3: DP 1/V-DP 1</p> <p>Group 4: DP 2/V-DP 2</p> <p>Note: After enabling DP 1/DP 2, V-DP 1/V-DP 2 would be unavailable.</p>
LCD Output	7-inch LCD
Decoding	
Recording Resolution	32 MP/24 MP/12 MP/8 MP/6 MP/5 MP/4 MP/3 MP/1080p/UXGA/720p/VGA/4CIF/DCIF/2CIF/CIF/QCIF
Decoding Format	H.265+/H.265/H.264+/H.264
Synchronous Playback	16-ch
Decoding Capability	2-ch@32 MP (30 fps)/2-ch@24 MP (30fps)/4-ch@16 MP (30fps)/8-ch@8 MP (30fps)/16-ch@4 MP (30fps)/32-ch@2 MP (30fps)
Live View Window Division	64/36/25/16/9/8/6/4/2/1

Audio Compression	G.711ulaw/G.711alaw/G.722/G.726/AAC/MP2L2/PCM/MP3
<b>Network</b>	
Network Interface	4, RJ-45 10/100/1000/2500 Mbps self-adaptive Ethernet interface
Remote Connection	256
Network Protocol	TCP/IP, DHCP, IPv4, IPv6, DNS, DDNS, NTP, RTSP, SADP, SMTP, SNMP, NFS, iSCSI, ISUP, UPnP™, HTTP, HTTPS, ONVIF(Version 2.2), OTAP
API	ONVIF (profile S/G); SDK; ISAPI
Camera Access Protocol	ONVIF(Version 2.5), RTSP
<b>RAID</b>	
RAID Type	RAID0, RAID1, RAID5, RAID6, RAID10
<b>Auxiliary Interface</b>	
Serial Interface	1 RS-485 (full-duplex), 1 RS-232
SATA	24 SATA interfaces; 3.5-inch HDD
eSATA	1 eSATA interface
Capacity	Up to 20 TB capacity for each disk
Fiber Optic Interface	4, Gigabit Ethernet interface
Alarm In/Out	16/8
USB Interface	Front panel: 2 × USB 2.0; Rear panel: 4 × USB 3.0
<b>General</b>	
GUI Language	English, Russian, Bulgarian, Hungarian, Greek, German, Italian, Czech, Slovak, French, Polish, Dutch, Portuguese, Spanish, Romanian, Turkish, Japanese, Danish, Swedish Language, Norwegian, Finnish, Korean, Traditional Chinese, Thai, Estonian, Vietnamese, Croatian, Slovenian, Serbian, Latvian, Lithuanian, Uzbek, Kazakh, Arabic, Ukrainian, Kyrgyz, Brazilian Portuguese, Indonesian
Power Supply	100 to 240 VAC, 50 to 60 Hz, redundant power supply
Consumption	≤ 200 W (without HDD)
Working Temperature	0 °C to + 50 °C (32 °F to 122 °F)
Working Humidity	10% to 90%
Dimension (W × D × H)	448 × 490 × 173 mm (17.6" × 19.3" × 6.8")
Weight	≤25 kg (without HDD, 55.1 lb.)
<b>Certification</b>	
Obtained Certification	CE, CB, KC, Rohs, Reach, WEEE, UKCA, LOA

▪ **Dimension**



## Physical Interface



No.	Description	No.	Description
1	eSATA interface	7	RS-232 and VGA interfaces
2	LAN 1 and LAN 2 interfaces	8	V-DP 1, V-DP 2, and V-SAS interfaces
3	USB 3.0, LAN 3, and LAN 4 interfaces	9	RS-485, ALARM IN, and ALARM OUT
4	AUDIO IN and AUDIO OUT	10	FIBER
5	HDMI 1, HDMI 2, DP 1, and DP2 interfaces	11	GND
6	COM	12	100 to 240 VAC power supply

## Available Model

iDS-96128NXI-H24R/LCD

### Headquarters

No.556 Qianmo Road, Binjiang District,  
Hangzhou 310051, China  
T +86-571-8817-5998  
www.hikvision.com



Follow us on social media to get the latest product and solution information.



## DS-9600NI-I16 SERIES NVR



### Features and Functions

#### Professional and Reliable

- New logical and visualized GUI design.
- Adopts professional embedded hardware and software, and pioneering dual-OS design to ensure the reliability of system running.
- Supports redundant power supply to improve the system stability.
- Supports HDD hot swap with RAID0, RAID1, RAID5, RAID 6, and RAID10 storage scheme configurable.
- Either normal or hot spare working mode is configurable to constitute an N+1 hot spare system.

#### Video Input and Transmission

- Up to 128/256 IP cameras can be connected.
- Support live view, storage, and playback of the connected camera at up to 12 megapixels resolution.
- H.265+ compression effectively reduces the storage space by up to 75%.
- 4 self-adaptive 10M/100M/1000M network interfaces.
- Adopt stream over TLS encryption technology (enhanced SDK service and RTP over HTTPS protocol)
- Connectable to the third-party network cameras like ACTI, Arecont, AXIS, Bosch, Brickcom, Canon, ONVIF, PANASONIC, Pelco, SAMSUNG, SANYO, SONY, Vivotek and ZAVIO.

#### HD Output

- Simultaneous HDMI 1/VGA output as the main output and the HDMI 2 works as the auxiliary output.
- HDMI and VGA1 simultaneous outputs by default. Asynchronous outputs configurable.
- Video outputs at up to 4K (4096×2160) resolution.
- Supports decoding up to 20 channels at 1080p resolution.

#### Storage and Playback

- Up to 16 SATA interfaces and 1 eSATA interface provided for HDD connection
- 10 TB capacity for each HDD.
- HDD health monitoring.
- Supports HDD quota and group modes; different capacity can be assigned to different channels.
- Normal/Important/Custom video playback.

#### Various Applications

- Centralized management of IP cameras is supported, including configuration, information import/export, real-time information display, two-way audio, upgrade, etc.
- Connectable to smart IP cameras from Hikvision and the recording, playing back, and backing up of VCA alarms can be realized.
- VCA detection alarm is supported.
- VCA search for facial detection, people counting, heat map, etc.
- Supports starting record with one key.
- Realizes instant playback for assigned channel during multi-channel display mode.
- Smart search for the selected area in the video; and smart playback to improve the playback efficiency.

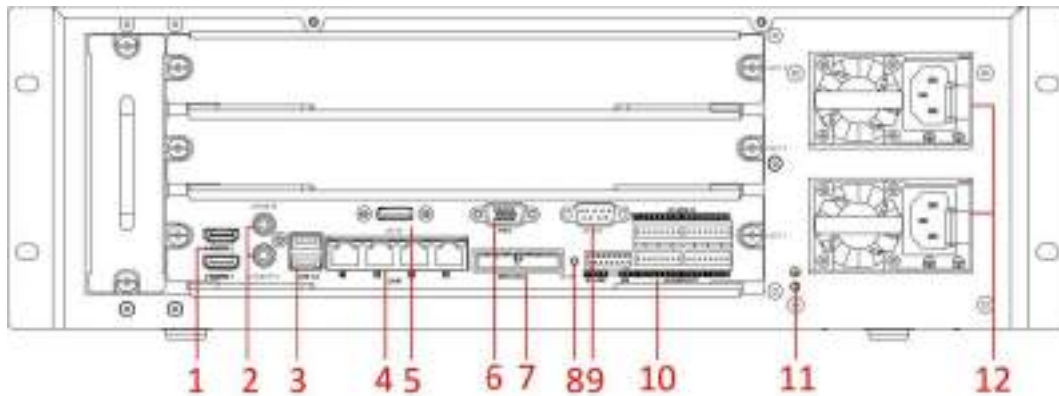


## Specifications

Model		DS-96064NI-I16	DS-96128NI-I16	DS-96256NI-I16
Video & Audio input	IP video input	64-ch	128-ch	256-ch
	Incoming/outgoing bandwidth	512 Mbps/512 Mbps	576 Mbps/512 Mbps	768 Mbps/768 Mbps
	Incoming/outgoing bandwidth (RAID mode)	512 Mbps/400 Mbps	576 Mbps/512 Mbps	768 Mbps/768 Mbps
	TLS outgoing bandwidth	128 Mbps, or 64 Mbps (when RAID is enabled)		
	Protocol	HIKVISION, ACTi, ARECONT, AXIS, BOSCH, BRICKCOM, CANON, HUNT, ONVIF (Version 2.5), PANASONIC, PELCO, RTSP, SAMSUNG, SONY, VIVOTEK, ZAVIO		
Video & Audio output	HDMI output	Two independent HDMI outputs of 4K resolution. Resolution: 4K (4096 × 2160), 4K (3840 × 2160)/30Hz, 2K (2560 × 1440)/60Hz, 1080p (1920 × 1080)/60Hz, UXGA (1600 × 1200)/60Hz, SXGA (1280 × 1024)/60Hz, 720p (1280 × 720)/60Hz, XGA (1024 × 768)/60Hz		
	VGA output	1-ch. Resolution: 1080p (1920 × 1080)/60Hz, UXGA (1600 × 1200)/60Hz, SXGA (1280 × 1024)/60Hz, 720p (1280 × 720)/60Hz, XGA (1024 × 768)/60Hz		
	LCD output (optional)	One 7 inch LCD		
	Audio output	1-ch. RCA (2.0 Vp-p, 1 KΩ)		
Video & Audio decoding	Decoding format	H.265, H.265+, H.264, H.264+, MPEG4, MJPEG (for Hikvision IP camera only)		
	Video resolution	32 MP/24 MP/12 MP/8 MP/7 MP/6 MP/5 MP/4 MP/3 MP/1080p/UXGA/720p /VGA/4CIF/DCIF/2CIF/CIF/QCIF *: 32 MP and 24 MP is only available for channel 1 to 4 when ultra HD resolution mode is enabled.		
	Synchronous playback	Up to 16 channels		
	Capability	1-ch@32 MP (8160 × 3616, 30 fps)/5-ch@8 MP(30 fps)/10-ch@4 MP(30 fps)/20-ch@1080p(30 fps)/40-ch@720p(30 fps) *: The length or width of camera resolution (each track) cannot exceed 4096 pixels.		
HDD	Interface	16 SATA interfaces supporting hot-plug		
	Capacity	Up to 10 TB for each HDD		
	Storage extension	1 × eSATA interface, 2 × mini SAS interface (optional)		
RAID	RAID Type	RAID0, RAID1, RAID5, RAID 6, and RAID10		
Network management	Protocol	IPv6, HTTPS, UPnP, SNMP, NTP, SADP, SMTP, NFS, iSCSI, PPPoE, DDNS		
	Network interface	4, RJ45 10M/100M/1000M self-adaptive Ethernet interface		
External interface	Two-way audio input	1-ch, RCA (2.0 Vp-p, 1 KΩ)		
	Serial port	RS-232; RS-485; Keyboard		
	USB interface	Front Panel: 2 × USB 2.0; Rear Panel: 2 × USB 3.0		
	Alarm input/output	16/8		
	Extension board (optional)	One extension board is supported with four 10M/100M/1000M optical interfaces (1.25 Gbps SFP module), eight RS-485 interfaces, and alarm interface of 32 alarm inputs and 16 alarm outputs. Note: The optional extension board should be purchased with your device in advance.		
General	Power supply	100 to 240 VAC, 50 to 60Hz, 5 A		
	Fan	Redundant dual ball bearing fan; Speed adjustable		
	Consumption (without HDD)	≤ 140W		
	Working temperature	0 °C to + 50 °C (32 °F to 122 °F)		

	Working humidity	10% to 90%
	Dimension (W × D × H)	442 × 494 × 146 mm (17.4 × 19.4 × 5.7 inch)
	Weight (without HDD)	≤ 16 kg (35.3 lb)

## Physical Interfaces



No.	Name	No.	Name
1	HDMI 1/2 Video Output	8	Reset Button
2	Audio Input	10	RS-232 Interface
	Audio Output		Alarm Input
3	USB 3.0		Alarm Output
4	LAN		RS-485 Interface
5	eSATA Interface		Keyboard Interface
6	VGA Video Output	11	Ground
7	Mini SAS Interface (Optional)	12	Power Supplies

## Available Models

DS-96064NI-I16, DS-96128NI-I16; DS-96256NI-I16

Distributed by



### Headquarters

No.555 Gaojie Road, Wuyang District,  
Hangzhou 310051, China  
T +86-571-8867-5998  
overseasbusiness@hikvision.com

**Hikvision USA**  
T +1-800-895-0400  
sales.usa@hikvision.com

**Hikvision Italy**  
T +39-0438-6802  
info.it@hikvision.com

**Hikvision Singapore**  
T +65-6564-4738  
sg@hikvision.com

**Hikvision Africa**  
T +27 (0) 0351172  
sales.africa@hikvision.com

**Hikvision Europe**  
T +31-23-85-42-770  
info.eu@hikvision.com

**Hikvision France**  
T +33(0)1-85-330-450  
info.fr@hikvision.com

**Hikvision Oceania**  
T +61-2-9599-4213  
sales.oceania@hikvision.com

**Hikvision Hong Kong**  
T +852-2151-1761

**Hikvision Middle East**  
T +971-4-8810085  
sales.me@hikvision.com

**Hikvision Spain**  
T +34-93-737-16-56  
info.es@hikvision.com

**Hikvision Canada**  
T +1-909-895-0400  
sales.usa@hikvision.com

**Hikvision Russia**  
T +7-485-560-67-99  
sales.ru@hikvision.com

**Hikvision Poland**  
T +48-22-660-01-50  
poland@hikvision.com

**Hikvision Korea**  
T +82-32-731-8941  
sales.korea@hikvision.com

**Hikvision India**  
T +91-22-28469600  
sales@promat@hikvision.com

**Hikvision UK**  
T +01628-900140  
support.uk@hikvision.com

**Hikvision Brazil**  
T +55-11-3319-0050  
latam.support@hikvision.com

## DS-9616NI-M8 M Series 8K NVR

### Key Feature

- Up to 16-ch IP camera inputs
- Up to 2-ch@32 MP + 2-ch@8 MP/10-ch@8 MP/20-ch@4 MP/40-ch@1080p decoding capacity
- Up to 320 Mbps incoming bandwidth and 400 Mbps outgoing bandwidth
- 2 HDMI (different source) and 2 VGA (different source) interfaces, 8K or dual 4K video outputs
- Supports special cameras, including people counting camera, ANPR (automatic number plate recognition) camera, and fisheye camera
- Advanced streaming technology enables smooth live view in poor network conditions
- Supports RAID 0, 1, 5, 6, 10 and N+M hot spare for even more reliable data storage, effectively avoids data loss risks



### Professional and Reliability

- H.265+ compression effectively reduces the storage space by up to 75%
- Dual-stream recording saves bandwidth
- Adopt stream over TLS encryption technology which provides more secure stream transmission service
- Support double verification for playback and downloading
- Solar-powered camera is connectable through OTAP protocol. NVR would get stream when user requests, and camera would send back videos according to the schedule

### HD Video Output

- Provide independent HDMI and VGA outputs
- HDMI video output at up to 8K or dual 4K resolution

### Storage and Playback

- 8 SATA interfaces for HDD connection (up to 16 TB capacity per HDD)
- 1 eSATA interface for HDD connection
- 16-ch synchronous playback

## Smart & POS Function

- Support multiple VCA (Video Content Analytics) events
- Configurable special camera smart functions, such as VCA detection (motion, line crossing, intrusion, etc.), heat map, ANPR, and people counting
- POS information overlay on live view and playback, and POS triggered recording and alarm

## Network & Ethernet Access

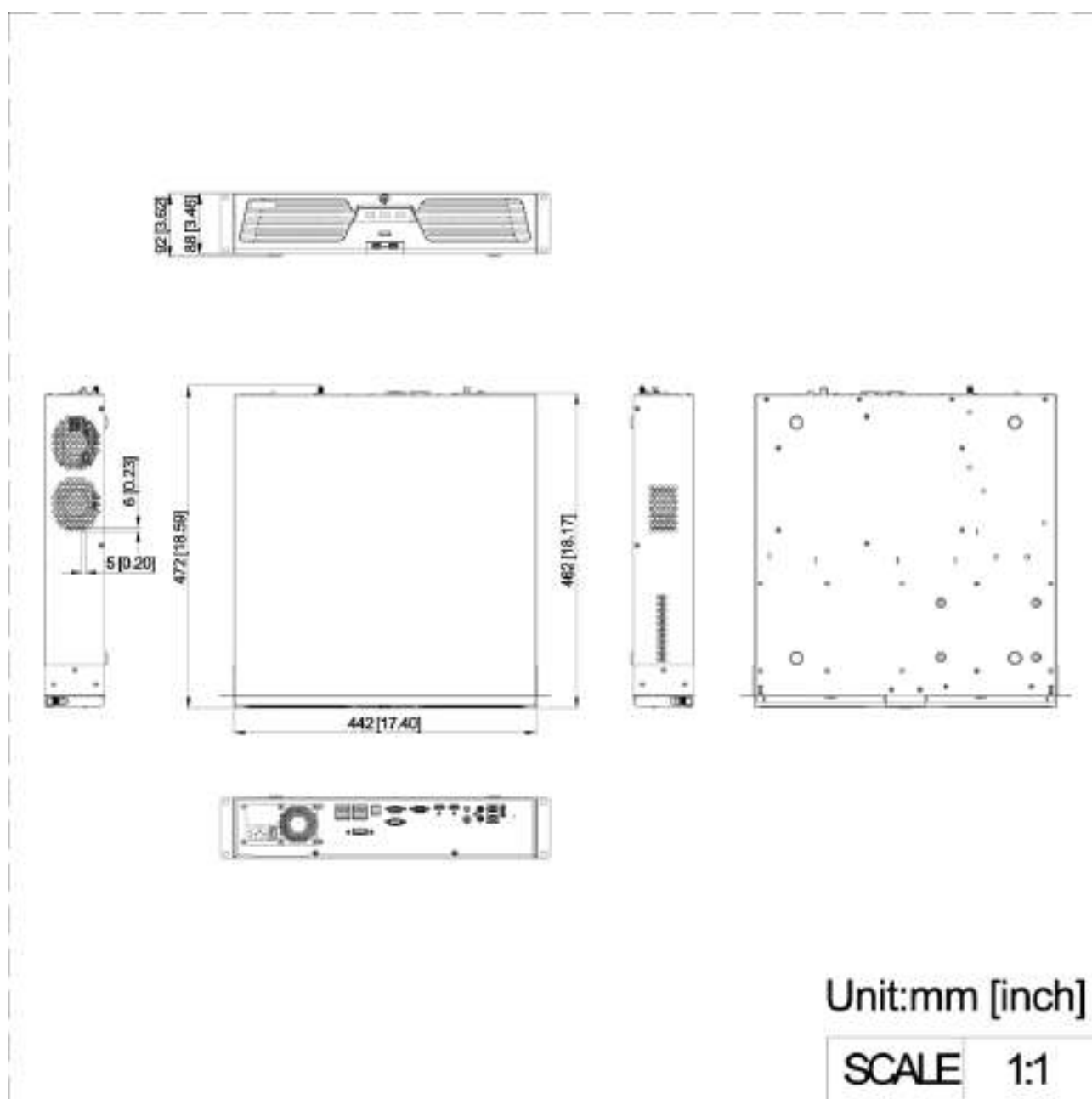
- 2 self-adaptive 10/100/1000 Mbps Ethernet interfaces
- Hik-Connect & DDNS (Dynamic Domain Name System) for easy network management
- Smooth streaming technology
- Support web access without plug-in

### ▪ Specification

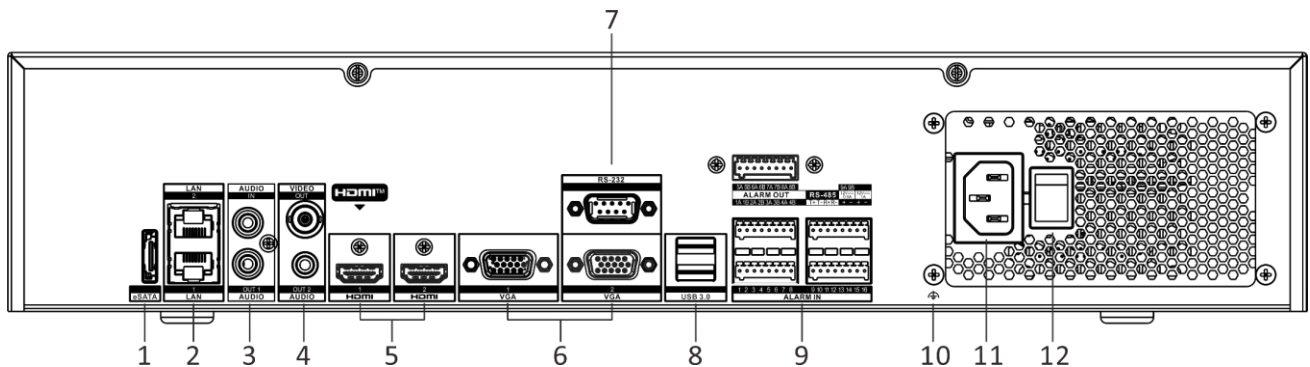
Video and Audio	
IP Video Input	16-ch
Incoming Bandwidth	320 Mbps
Outgoing Bandwidth	400 Mbps
HDMI 1 Output	8K (7680 × 4320)/30Hz, 4K (3840 × 2160)/60Hz, 4K (3840 × 2160)/30Hz, 2K (2560 × 1440)/60Hz, 1920 × 1080/60Hz, 1600 × 1200/60Hz, 1280 × 1024/60Hz, 1280 × 720/60Hz, 1024 × 768/60Hz
HDMI 2 Output	4K (3840 × 2160)/60Hz, 4K (3840 × 2160)/30Hz, 2K (2560 × 1440)/60Hz, 1920 × 1080/60Hz, 1600 × 1200/60Hz, 1280 × 1024/60Hz, 1280 × 720/60Hz, 1024 × 768/60Hz *: When HDMI 1 output resolution is 8K, the maximum HDMI 2 output resolution is 1080p.
VGA 1 Output	1920 × 1080/60Hz, 1280 × 1024/60Hz, 1280 × 720/60Hz, 1024 × 768/60Hz
VGA 2 Output	1920 × 1080/60Hz, 1280 × 1024/60Hz, 1280 × 720/60Hz, 1024 × 768/60Hz
Video Output Mode	HDMI 1 and VGA 1 provide simultaneous video output, and work as the main output; HDMI 2 and VGA 2 provide simultaneous video output, and work as the auxiliary output
CVBS Output	1-ch, BNC (1.0 Vp-p, 75 Ω), resolution: PAL: 704 × 576, NTSC: 704 × 480
Audio Output	2-ch, RCA (Linear, 1 KΩ)
Two-Way Audio	1-ch, RCA (2.0 Vp-p, 1 KΩ, using the audio input)
Decoding	
Decoding Format	H.265+/H.265/H.264+/H.264
Recording Resolution	32 MP/24 MP/12 MP/8 MP/7 MP/6 MP/5 MP/4 MP/3 MP/1080p/UXGA/720p/VGA/4CIF/DCIF/2CIF/CIF/QCIF
Synchronous playback	16-ch
Decoding Capability	2-ch@32 MP (30 fps) + 2-ch@8 MP (30 fps)/10-ch@8 MP (30 fps)/20-ch@4 MP (30 fps)/40-ch@1080p (30 fps)
Audio Compression	G.711ulaw/G.711alaw/G.722/G.726/AAC/MP2L2/PCM

<b>Network</b>	
Network Protocol	TCP/IP, DHCP, IPv4, IPv6, DNS, DDNS, NTP, RTSP, SADP, SMTP, SNMP, NFS, iSCSI, ISUP, UPnP™, HTTP, HTTPS
Network Interface	2, RJ-45 10/100/1000 Mbps self-adaptive Ethernet interface
<b>RAID</b>	
RAID Type	RAID0, RAID1, RAID5, RAID6, RAID10
<b>Auxiliary Interface</b>	
Serial Interface	1 RS-485 (full-duplex), 1 RS-232
SATA	8 SATA interfaces supporting hot-plug
eSATA	1 eSATA interface
Capacity	Up to 16 TB capacity for each disk
Alarm In/Out	16/9
USB Interface	Front panel: 2 × USB 2.0; Rear panel: 2 × USB 3.0
Ctrl 12V	Controllable 12 VDC, 1 A power output for external alarm device; The power will be turned on when the alarm output is triggered. *: The Ctrl 12V power is controlled by alarm output 9.
DC 12V	12 VDC, 1 A power output
<b>General</b>	
Power Supply	100 to 240 VAC, 50 to 60 Hz
Consumption	≤ 50 W (without HDD)
Working Temperature	-10 °C to 55 °C (14 °F to 131 °F)
Working Humidity	10% to 90%
Chassis	2U chassis
Dimension (W × D × H)	442 × 462 × 88 mm ( 17.4"× 18.2" × 3.5")
Weight	≤ 10 kg (without HDD, 22 lb.)
<b>Certification</b>	
Obtained Certification	CE, FCC
FCC	Part 15 Subpart B, ANSI C63.4-2014
CE	EN 55032:2015, EN 61000-3-2, EN 61000-3-3, EN 50130-4

Dimension



## Physical Interface



No.	Description	No.	Description
1	eSATA interface	7	RS-232 Serial interface
2	LAN interfaces	8	USB 3.0 interfaces
3	Audio in and out	9	Alarm in, alarm out, RS-485 serial interface, Ctrl 12V and DC 12V
4	Audio out and video out	10	GND
5	HDMI 1 and HDMI 2 interfaces	11	100 to 240 VAC power supply
6	VGA 1 and VGA 2 interfaces		

## Available Model

DS-9616NI-M8

### Headquarters

No.335 Qianmu Road, Binjiang District,  
Hangzhou 310051, China  
T +86-571-8807-8888  
www.hikvision.com



Follow us on social media to get the latest product and solution information.





## Destaques do Produto

- Capacidade até 8 TB<sup>1</sup>
- Projetado para sistemas de vigilância convencionais
- A tecnologia AllFrame™ oferece otimizações para cargas de trabalho de gravação intensiva, baixa taxa de bits e alto número de fluxos, típicas de aplicativos de vigilância
- Suporta uma carga de trabalho nominal de até 180 TB/ano<sup>7</sup>
- Garantia limitada de três anos<sup>9</sup>

## Discos Rígidos WD Purple™

### Unidade Certa para Vigilância por Vídeo Inteligente

As unidades WD Purple™ são projetadas para atender aos desafios da gravação de vigilância por vídeo 24x7. Essas unidades foram projetadas especificamente para ajudar a resistir a extremas flutuações de calor e a vibrações do equipamento que ocorrem em um ambiente de NVR. Uma unidade de desktop média é projetada para operar apenas em intervalos curtos, não no ambiente agressivo, de operação contínua, de um sistema de vigilância de alta definição. Com unidades WD Purple, você tem armazenamento confiável próprio para vigilância testado para ser compatível com uma ampla variedade de sistemas de segurança. A tecnologia WD AllFrame™ exclusiva ajuda a reduzir a perda de quadros e a aprimorar a reprodução do vídeo.

### Armazenamento líder da indústria. Vigilância em que você pode confiar.

A Western Digital fornece armazenamento de nível de vigilância há mais de uma década. Com o armazenamento para vigilância WD Purple™, as unidades são projetada para sistemas de vigilância de operação contínua, de alta temperatura, para que você possa confiar em vídeo de qualidade quando precisar mais. As unidades WD Purple fornecem armazenamento de vídeo inteligente em que você pode confiar, e são apoiadas por uma garantia limitada de três anos<sup>9</sup>.

### Tecnologia AllFrame™ exclusiva da Western Digital

Todas as unidades WD Purple™ são equipadas com a tecnologia AllFrame™, que ajuda a reduzir as perdas de quadros de vídeo e aprimora a gravação e reprodução de vídeos.

### Maior carga de trabalho nominal

As unidades WD Purple™ apresentam uma carga de trabalho nominal de até 180 TB/ano<sup>7</sup> – até três vezes maior que a de unidades desktop – para atender às demandas únicas de sistemas de vigilância de vídeo DVR e NVR.

### Várias câmeras, vários streams

Gravadores modernos podem suportar vários streams de vídeo por câmera. As unidades WD Purple™ suportam até 64 câmeras HD de um stream. Gravadores modernos podem suportar vários streams de vídeo por câmera. As unidades WD Purple™ suportam até 64 câmeras HD de um stream<sup>3</sup>. Com tantas opções, você tem a flexibilidade de fazer o upgrade ou expandir suas aplicações de segurança no futuro.

### Projetadas para Operação Confiável

Projetadas para confiabilidade, com MTBF de até 1 milhão de horas<sup>8</sup> e apoiadas por uma garantia limitada de três anos<sup>9</sup>, as unidades WD Purple apresentam componentes resistentes a corrosão<sup>11</sup> e são compatíveis com sistemas de armazenamento com até 16 compartimentos de unidades<sup>12</sup>. Os discos rígidos WD Purple são projetados com controle de recuperação de erros RAID para ajudar a reduzir falhas em gravadores de vídeo compatíveis.

### Ampla compatibilidade. Integração simplificada.

Os discos rígidos WD Purple™ são construídos tendo em mente a compatibilidade, para que você possa adicionar capacidade com rapidez e simplicidade ao seu sistema de vigilância. Com suporte a uma ampla gama de gabinetes e chipsets líderes da indústria, você tem certeza de que encontrará a configuração de DVR e NVR certa para você.

### Garantia limitada de três anos

Como líder da indústria na fabricação de discos rígidos, a Western Digital garante suas soluções de armazenamento para vigilância com uma garantia limitada de 3 anos<sup>9</sup> incluída com toda unidade WD Purple™.

### Especificações

	8 TB	6 TB	6 TB	4 TB	4 TB
<b>Número do Modelo</b>	WD84PURZ	WD64PURZ	WD63PURZ	WD43PURZ	WD42PURZ
Capacidade formatada <sup>1</sup>	8 TB	6 TB	6 TB	4 TB	4 TB
Formato	3,5 polegadas	3,5 polegadas	3,5 polegadas	3,5 polegadas	3,5 polegadas
Formato Avançado (AF)	Sim	Sim	Sim	Sim	Sim
Tecnologia de gravação	CMR	CMR	CMR	CMR	CMR
Cumprir as normas RoHS <sup>2</sup>	Sim	Sim	Sim	Sim	Sim
<b>Recursos do produto</b>					
Câmeras suportadas <sup>3</sup>	Até 64 HD	Até 64 HD	Até 64 HD	Até 64 HD	Até 64 HD
Número máximo de compartimentos para unidades suportado	16	16	16	16	16
Nome do Recurso de Firmware	AllFrame	AllFrame	AllFrame	AllFrame	AllFrame
Componentes resistentes a manchas	Sim	Sim	Sim	Sim	Sim
Sensores RV	Sim	Sim	Sim	Sim	Sim
<b>Desempenho</b>					
Taxa de transferência da interface (máx) <sup>4</sup>					
Buffer para host	6 Gb/s	6 Gb/s	6 Gb/s	6 Gb/s	6 Gb/s
Host para/de drive (mantido) <sup>5</sup>	194 MB/s	180 MB/s	175 MB/s	180 MB/s	175 MB/s
Cache (MB) <sup>1</sup>	128	256	256	256	256
<b>Confiabilidade/Integridade dos dados</b>					
Ciclos de carga e descarga <sup>6</sup>	300.000	300.000	300.000	300.000	300.000
Carga de trabalho nominal anualizada <sup>7</sup>	180 TB/ano	180 TB/ano	180 TB/ano	180 TB/ano	180 TB/ano
Erros de leitura irreversíveis por bits lidos	<1 em 10 <sup>14</sup>	<1 em 10 <sup>14</sup>	<1 em 10 <sup>14</sup>	<1 em 10 <sup>14</sup>	<1 em 10 <sup>14</sup>
MTBF	1.000.000	1.000.000	1.000.000	1.000.000	1.000.000
Garantia limitada (anos) <sup>9</sup>	3	3	3	3	3
<b>Gerenciamento de Energia<sup>10</sup></b>					
Requisitos médios de energia (W)					
Leitura/Gravação	6,2	4,7	4,6	4,7	4,6
Ocioso	5,5	4,3	3,7	4,3	3,7
Standby e dormindo	0,4	0,3	0,3	0,3	0,3
<b>Especificações ambientais<sup>10</sup></b>					
Temperatura (°C na base da unidade)					
Em operação	0 a 65	0 a 65	0 a 65	0 a 65	0 a 65
Fora de operação	-40 a 70	-40 a 70	-40 a 70	-40 a 70	-40 a 70
Choque (Gs)					
Funcionamento (2 ms, leitura/gravação)	30	30	30	30	30
Operacional (2 ms, leitura)	65	65	65	65	65
Fora de operação (2 ms)	250	250	250	250	250
Acústica (dBA)					
Ocioso	25	23	23	23	23
Seek (média)	30	27	27	27	27
<b>Dimensões físicas</b>					
Altura (pol./mm, máx)	1,028/26,1	1,028/26,1	1,028/26,1	1,028/26,1	1,028/26,1
Comprimento (pol./mm, máx)	5,787/147	5,787/147	5,787/147	5,787/147	5,787/147
Largura (pol./mm, ± 0,01 pol.)	4/101,6	4/101,6	4/101,6	4/101,6	4/101,6
Peso (lb/kg, ± 3%)	1,58 / 0,72	1,26/0,57	1,26/0,57	1,26/0,57	1,26/0,57

<sup>1</sup> 1 MB = 1 milhão de bytes, 1 GB = 1 bilhão de bytes e 1 TB = 1 trilhão de bytes. A capacidade real para o usuário pode ser menor, dependendo do ambiente operacional.

<sup>2</sup> Esta unidade está em conformidade com a Diretiva 2011/65/EU da União Europeia e com a Diretiva (EU) 2015/863 com relação à restrição de uso de certas substâncias perigosas em equipamentos elétricos e eletrônicos.

<sup>3</sup> Fluxo único a 3,2 Mbps (1080p, H.265, 25 fps). Os resultados podem variar, dependendo da resolução da câmera, do formato do arquivo, de quadros por segundo, do software, das configurações do sistema, da qualidade do vídeo e de outros fatores.

<sup>4</sup> Gigabit por segundo (Gb/s) = um bilhão de bits por segundo. Taxa de transferência máxima efetiva do SATA de 6 Gb/s de acordo com a especificação da Serial ATA publicada pela organização SATA-IO na data desta planilha de especificação. Visite [www.sata-io.org](http://www.sata-io.org) para obter detalhes.

<sup>5</sup> 1 MB/s = 1 milhão de bits por segundo. Baseado em testes internos; o desempenho pode variar dependendo do dispositivo host, das condições de uso, da capacidade da unidade e de outros fatores.

<sup>6</sup> Descarga controlada em condição ambiente.

<sup>7</sup> Carga de trabalho nominal é definida como sendo a quantidade de dados do usuário transferidos de ou para o disco rígido. Carga de trabalho nominal anualizada (TB transferidos x (8760 / horas de operação gravadas)). A carga de trabalho nominal varia dependendo de seus componentes de hardware e software e de suas configurações.

<sup>8</sup> As especificações de MTBF são baseadas em uma população de amostra e são estimadas por medições estatísticas e algoritmos de aceleração em condições operacionais típicas, carga de trabalho de 90 TB/ano e temperatura da unidade de 40 °C. Ocorrerá uma redução de MTBF acima desses parâmetros, até a temperatura do dispositivo de 65 °C. MTBF não prevê a confiabilidade de uma unidade individual e não constitui uma garantia.

<sup>9</sup> Consulte <http://support.wdc.com/warranty> para obter detalhes regionais específicos sobre garantia.

<sup>10</sup> Medições de consumo de energia em temperatura ambiente.

<sup>11</sup> Componentes resistentes a corrosão para capacidades de 3 TB e acima.

<sup>12</sup> 1 TB a 2 TB suportam até oito compartimentos; 3 TB e acima suportam até 16 compartimentos.

### Especificações

	3TB	2TB	2TB	1 TB	1 TB
<b>Número do Modelo</b>	WD33PURZ	WD23PURZ	WD22PURZ	WD11PURZ	WD10PURZ
Capacidade formatada <sup>1</sup>	3 TB	2 TB	2 TB	1 TB	1 TB
Formato	3,5 polegadas	3,5 polegadas	3,5 polegadas	3,5 polegadas	3,5 polegadas
Formato Avançado (AF)	Sim	Sim	Sim	Sim	Sim
Tecnologia de gravação	CMR	CMR	CMR	CMR	CMR
Cumprir as normas RoHS <sup>2</sup>	Sim	Sim	Sim	Sim	Sim
<b>Recursos do produto</b>					
Câmeras suportadas <sup>3</sup>	Até 64 HD	Até 64 HD	Até 64 HD	Até 64	Até 64
Número máximo de compartimentos para unidades suportado	8	8	8	8	8
Nome do Recurso de Firmware	AllFrame	AllFrame	AllFrame	AllFrame	AllFrame
Componentes resistentes a manchas	Sim	Não	Não	Não	Não
Sensores RV	Sim	Não	Não	Não	Não
<b>Desempenho</b>					
Taxa de transferência da interface (máx) <sup>4</sup>	6 Gb/s	6 Gb/s	6 Gb/s	6 Gb/s	6 Gb/s
Buffer para host	180 MB/s	180 MB/s	175 MB/s	180 MB/s	110 MB/s
Host para/de drive (mantido) <sup>5</sup>	180 MB/s	180 MB/s	175 MB/s	180 MB/s	110 MB/s
Cache (MB) <sup>1</sup>	256	64	256	64	64
<b>Confiabilidade/Integridade dos dados</b>					
Ciclos de carga e descarga <sup>6</sup>	300.000	300.000	300.000	300.000	300.000
Carga de trabalho nominal anualizada <sup>7</sup>	180 TB/ano	180 TB/ano	180 TB/ano	180 TB/ano	180 TB/ano
Erros de leitura irrecuperáveis por bits lidos	<1 em 10 <sup>14</sup>	<1 em 10 <sup>14</sup>	<1 em 10 <sup>14</sup>	<1 em 10 <sup>14</sup>	<1 em 10 <sup>14</sup>
MTBF <sup>8</sup>	1.000.000	1.000.000	1.000.000	1.000.000	1.000.000
Garantia limitada (anos) <sup>9</sup>	3	3	3	3	3
<b>Gerenciamento de Energia<sup>10</sup></b>					
Requisitos médios de energia (W)					
Leitura/Gravação	4,6	3,8	3,8	3,8	3,8
Ocioso	3,7	3,2	3,2	3,2	3,2
Standby e dormindo	0,3	0,3	0,3	0,3	0,6
<b>Especificações ambientais</b>					
Temperatura (°C na base da unidade)					
Em operação	0 a 65	0 a 65	0 a 65	0 a 65	0 a 65
Fora de operação	-40 a 70	-40 a 70	-40 a 70	-40 a 70	-40 a 70
Choque (Gs)					
Funcionamento (2 ms, leitura/gravação)	30	30	30	30	30
Operacional (2 ms, leitura)	65	65	65	65	65
Fora de operação (2 ms)	250	250	250	250	250
Acústica (dBA)					
Ocioso	23	21	21	21	21
Seek (média)	27	26	26	26	22
<b>Dimensões físicas</b>					
Altura (pol./mm, máx)	1,028/26,1	1,028/26,1	1,028/26,1	1,028/26,1	1,028/26,1
Comprimento (pol./mm, máx)	5,787/147	5,787/147	5,787/147	5,787/147	5,787/147
Largura (pol./mm, ± 0,01 pol.)	4/101,6	4/101,6	4/101,6	4/101,6	4/101,6
Peso (lb/kg, ± 3%)	1,26/0,57	0,99/0,45	0,99/0,45	0,99/0,45	0,99/0,45

1 1 MB = 1 milhão de bytes, 1 GB = 1 bilhão de bytes e 1 TB = 1 trilhão de bytes. A capacidade real para o usuário pode ser menor, dependendo do ambiente operacional.

2 Esta unidade está em conformidade com a Diretiva 2011/65/EU da União Europeia e com a Diretiva (EU) 2015/863 com relação à restrição de uso de certas substâncias perigosas em equipamentos elétricos e eletrônicos.

3 Fluxo único a 3,2 Mbps (1080p, H.265, 25 fps). Os resultados podem variar, dependendo da resolução da câmera, do formato do arquivo, de quadros por segundo, do software, das configurações do sistema, da qualidade do vídeo e de outros fatores.

4 Gigabit por segundo (Gb/s) = um bilhão de bits por segundo. Taxa de transferência máxima efetiva do SATA de 6 Gb/s de acordo com a especificação da Serial ATA publicada pela organização SATA-IO na data desta planilha de especificação. Visite [www.sata-io.org](http://www.sata-io.org) para obter detalhes.

5 1 MB/s = 1 milhão de bytes por segundo. Baseado em testes internos; o desempenho pode variar dependendo do dispositivo host, das condições de uso, da capacidade da unidade e de outros fatores.

6 Descarga controlada em condição ambiente.

7 Carga de trabalho nominal é definida como sendo a quantidade de dados do usuário transferidos de ou para o disco rígido. Carga de trabalho nominal anualizada (TB transferidos x (8760 / horas de operação gravadas)). A carga de trabalho nominal varia dependendo de seus componentes de hardware e software e de suas configurações.

8 As especificações de MTBF são baseadas em uma população de amostra e são estimadas por medições estatísticas e algoritmos de aceleração em condições operacionais típicas, carga de trabalho de 90 TB/ano e temperatura da unidade de 40 °C. Ocorrerá uma redução de MTBF acima desses parâmetros, até a temperatura do dispositivo de 65 °C. MTBF não prevê a confiabilidade de uma unidade individual e não constitui uma garantia.

9 Consulte <http://support.wdc.com/warranty> para obter detalhes regionais específicos sobre garantia.

10 Medições de consumo de energia em temperatura ambiente.

11 Componentes resistentes a corrosão para capacidades de 3 TB e acima.

12 1 TB a 2 TB suportam até oito compartimentos; 3 TB e acima suportam até 16 compartimentos.

## Western Digital

5601 Great Oaks Parkway  
San Jose, CA 95119, EUA  
[www.westerndigital.com](http://www.westerndigital.com)

Western Digital, o design da Western Digital, o logotipo da Western Digital, AllFrame, OptiNAND, WD Purple, WDDA e Western Digital Device Analytics são marcas registradas ou marcas comerciais da Western Digital Corporation ou suas afiliadas nos EUA e/ou em outros países. Todas as outras marcas são propriedade de seus respectivos donos. As especificações do produto estão sujeitas a mudanças sem aviso prévio. As fotos apresentadas podem diferir dos produtos reais.

©2023 Western Digital Corporation ou suas afiliadas. Todos os direitos reservados.



\* All images in this datasheet are for illustrative purposes only.

## Video Wall 55VM5J-H

# 55" Narrow Bezel Video Wall with 1.74 mm BtB



Extreme-Narrow  
Bezel



Wider  
Viewing Angle



Easy Color  
Adjustment



Efficient  
Operation

### 55VM5J-H

Screen Size	55"
Aspect Ratio	16 : 9
Native Resolution	FHD (1,920 × 1,080)
Brightness	500 nits (Typ.)
Contrast Ratio	1,000:1



### Large Screens with Narrow Bezel

The slim bezel, with its 1.74mm BtB (Bezel-to-Bezel) seams and delivers immersive content on assembled video wall screens.

\* The 1.74mm BtB seams have been verified by Nemko, a global institution that tests and certifies electrical equipment.



### Image Gap Reduction

The 55VM5J-H includes an image improvement algorithm that can reduce perception of image gaps among tiled displays when playing back videos. Objects located on the bezel boundaries are adjusted for a smoother viewing experience.

\* The "LG Conventional" refers to displays which do not include an image improvement algorithm.

\*\* The image shown above are for illustration purposes only.



40° High Viewing Angle\*

### High Viewing Angle

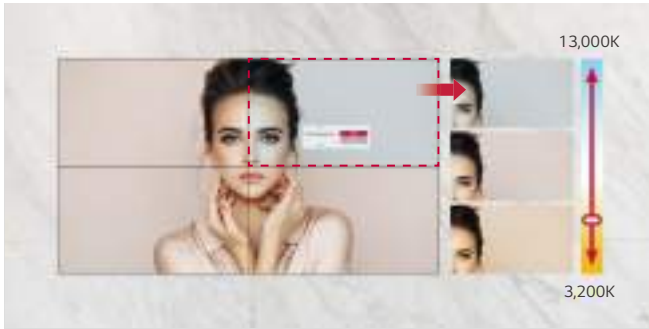
Large screens are usually positioned higher than human-eye level. Wide half luminance angle (40°) enables effective picture quality for video walls. The viewing angle of the 55VM5J-H is high enough to display vivid colors throughout even up to 40 degrees of viewing angle difference.

\* Results based on in-house testing. Actual test results may differ depending on environment and measuring equipment.



### Wide Viewing Angle

LG IPS panel technology enables stable and smooth control of liquid crystals, and allows the screen to be viewed from virtually any angle. Therefore, the 55VM5J-H captivates the attention of more viewers with lifelike colors, regardless of their horizontal viewing position.



### Easy Color Adjustment

Depending on the content, the color temperature of the display can be easily adjusted in increments of 100K using a remote control.



### Simple White Balance Adjustment

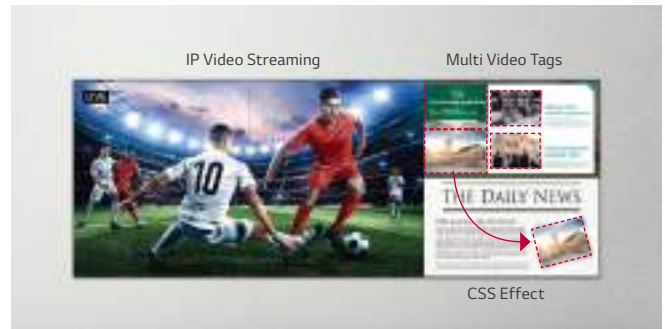
In conventional video walls, white balance was adjustable only in "full-white" mode, but the 55VM5J-H allows you to modify each value of grey scale to achieve more detailed and precise white balance adjustment.



### High Performance and Great Scalability

Thanks to its built-in System-on-Chip and webOS smart signage platform, the 55VM5J-H can execute several tasks at once while providing smooth content playback without the need for a media player. As webOS supports HTML5 as a web-based platform and offers an SDK (Software Development Kit), it is even easier for system integrators to build and optimize their web apps.

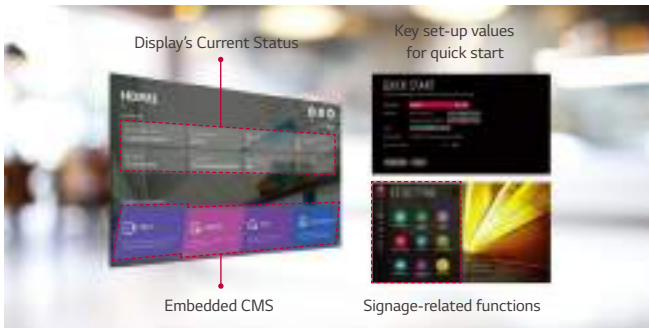
\* SDK can be downloaded at <https://webossignage.developer.lge.com>.



### Flexible Content Creation

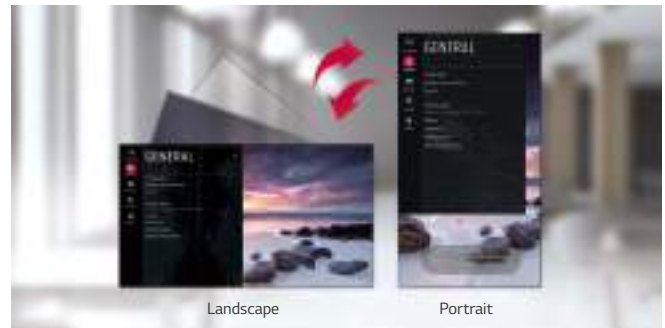
Four different videos can be played simultaneously via web apps, and various animation effects, such as scaling or rotating, are added to content using CSS (Cascading Style Sheets) transition effects. Real-time streaming is also available, providing the flexibility to organize and diversify content free from capacity limits.

\* Supported protocols: RTSP, RTP, HLS, UDP Multicast



### Intuitive Menu Structure

The menu structure has been optimized for commercial use. It simplifies approach flows and groups similar functions together, adopting a more intuitive GUI for ease of use. This way, users can avoid having to do trial-and-error when exploring desired functions and managing displays.



### Dedicated User Interface for Portrait Orientation

The user interface was designed based on landscape-oriented consumer TV usage, so on-screen display menu wasn't well-suited for screens in portrait mode. The OSD of the VM5J-H, however, consists of a long range menu with bigger font sizes and a 9:16 ratio, creating a comfortable and efficient business environment.



## Conformal Coating

Video wall in various places can't avoid exposure to environments with dust, and humidity, which may lead to hampered performance over time. Conformal coating on the major circuit board (power board) offers protection from such environments by protecting video wall from salt, dust, iron powder, humidity, etc.

\* Actual images available may differ from the example images shown.



## EMC Class B Certified

The VM5J-H is certified as EMC Class B, which requires electronic equipment made for use in residential environments as well as commercial, industrial, or business environments. Therefore, it is suitable for up-close uses such as corporate meeting rooms, board rooms, etc.



## Real-Time LG ConnectedCare

Maintenance is easy and fast with the optional LG ConnectedCare\* service, a cloud service solution provided by LG. It remotely manages the status of displays in client workplaces for fault diagnosis and remote-control services, enabling the stable operation of clients' businesses.

\* LG ConnectedCare is the brand name of LG Signage365Care Service. The availability differs by region.



MODEL	55VM5J-H	
PANEL	Screen Size	55"
	Panel Technology	IPS
	Back Light Type	Direct
	Aspect Ratio	16:9
	Native Resolution	1920 X 1080 (FHD)
	Refresh Rate	60 Hz
	Brightness	500 nits
	Contrast Ratio	1,000:1
	Dynamic CR	500,000:1
	Color gamut	NTSC 72%
	Viewing Angle (H x V)	178° X 178°
	Color Depth	10 bit, 1.07 Billion colors
	Response Time	8ms (G to G)
	Surface Treatment (Haze)	28%
	Lifetime (Typ)	60,000 Hrs
	Operation Hours (Hours/Day)	24/7
	Portrait / Landscape	Yes / Yes
CONNECTIVITY IN	HDMI	Yes (x2), HDCP2.2
	DP	Yes (x1), HDCP2.2
	DVI-D	Yes (x1), HDCP1.4
	Audio In	Yes
	RS232C IN	Yes
	RJ45(LAN)	Yes
	IR IN	Yes
	USB	USB2.0 Type A
CONNECTIVITY OUT	DP Out	Yes (Input: HDMI / DVI / DP)
	Audio Out	Yes
	RS232C OUT	Yes
	RJ45(LAN)	Yes
MECHANICAL	Bezel Color	Black
	Bezel Width (Bezel-to-Bezel)	1.74mm BtB (1.3mm (T/L), 0.44 mm(B/R))
	Bezel Width (Active area to Active area)	2.49mm AtA (1.75mm (T/L), 0.74mm (B/R))
	Weight	41.4 lbs / 18.8 kg
	Shipping Weight	61.7 lbs / 28.0 kg
	Monitor Dimension (W x H x D)	47.7 x 26.9 x 3.4 in 1212.2 x 683.0 x 86.9 mm
	Carton Dimensions (W x H x D) (Box outer size)	54.8 x 37.6 x 11.9 in 1393 x 955 x 303 mm
	Handle	Yes
	VESA™ Standard Mount Interface	600 x 400
	Operation Temperature	32°F to 104°F 0°C to 40°C
	Operation Humidity	10% to 80%
	IP Rating	IP5X
	HARDWARE FEATURES	Internal Memory
Temperature Sensor		Yes
BLU Sensor		Yes
Acceleration (Gyro) Sensor		Yes
Local Key Operation		Yes
Fanless Design		Yes
OPS type compatible		Yes (Piggyback)

MODEL	55VM5J-H	
SOFTWARE FEATURES	webOS ver.	webOS 4.1
	Local Contents Scheduling	Yes
	Group Manager	Yes
	USB Plug & Play	Yes
	Fail over	Yes
	No Signal Image	Yes
	RS-232C Sync	Yes
	Local Network Sync	Yes
	Video Tag	Yes (x4)
	Play via URL	Yes
	Screen Rotation	Yes
	External Input Rotation	Yes
	Gapless Playback	Yes
	Tile Mode Setting	Yes (Max. 15x15)
	Setting Data Cloning	Yes
	SNMP	Yes
	ISM Method	Yes
	Auto Set ID	Yes
	Status Mailing	Yes
	Control Manager	Yes
	Crestron Inside	Yes
	Smart Energy Saving	Yes
	PM mode	Yes
	Wake on LAN	Yes
	Network Ready	Yes
	HDMI-CEC	Yes
	SI Server Setting	Yes
	webRTC	Yes
	Pro:Idiom	Yes
W/B Setting by Grey scale	Yes	
Scan Inversion	Yes	
POWER	Power Supply	100-240 Vac, 50/60Hz
	Power Type	Built-In Power
	Typ. Power Consumption	160 W 546 BTU/hr
	Max. Power Consumption	190 W 648 BTU/hr
	Smart Energy Saving	90 W
	DPM	0.5 W
	Power off	0.5W
CERTIFICATION	FCC	Class "B"
	CE	Yes
	ErP / Energy Star	Yes / Energy Star 8.0
SOFTWARE COMPATIBILITY	SuperSign CMS	Yes
	SuperSign Control / Control+	Yes / Yes
	SuperSign WB	Yes
	SuperSign Media Editor	Yes
ACCESSORIES & OTHER	LG Connected Care	Yes
	Basic Accessories	Remote Controller(includes battery 2ea), Power Cord, RS232C cable, Lan cable, DP cable, IR Receiver, Guide Bracket, Screws, Manual
	Optional Accessories	OPS Kit (KT-OPSF)

## DS-6908UDI(C) Ultra High Definition Decoder



Developed on the basis of embedded hardware platform, the DS-69XXUDI(C) ultra high definition (UHD) decoder is a new generation decoder for HD network cameras and can be widely used in various video security system projects. It uses the HDMI 1.4 port and BNC port for decoded data output, supports various decoding formats including H.265, H.264, MJPEG, Smart264, and Smart265, supports decoding the H.265 or H.264 video of no more than 32 MP, and supports 4K video output.

### Video Input

- Supports the video input from the computers and video conference terminals, and 4K HDMI signal input.
- Supports using network cameras, NVRs, and other devices as network signal sources.
- Supports embedded HDMI audio input. The audio input supports 16 bit, 48 KHz or 32 KHz sampling rate, dual audio channel, and stereo.
- Supports signal input via the HDMI 1.4 port, 2 channels of 1080p@50/60 Hz input, or 1 channel of 4K@30 Hz input.

### Video Output

- Supports signal output via the HDMI 1.4 port, and 4K (3840 × 2160@30 Hz) UHD video output.
- Supports embedded HDMI audio output and external audio output.
- Adopts frame synchronization technology to ensure that the images of all HDMI output ports are completely synchronized, with complete picture and smooth playback, and without lag, frame loss, tearing, or splicing.
- Supports the maximum LED loading capacity of 2.6 MP per port.

### Video Encoding and Decoding

- Supports H.264 encoding format (the default), H.265 encoding formats, sub-stream encoding, and main stream encoding.
- Supports decoding the network cameras, NVRs and other network sources, decoding sub-stream and main stream, and auto-switching to sub-stream when the window division reaches the threshold.
- Provides 128 video decoding channels and supports simultaneously decoding 64 channels of 2 MP video or 128 channels of 720p video to the video wall.
- Supports decoding streams of no more than 32 MP resolution.
- Supports the mainstream decoding formats such as H.264, H.265, Smart264, Smart265, MJPEG, and HIK264, and mainstream encapsulation formats such as PS, TS, ES, and RTP.
- Supports audio decoding of G.722, G.711A, G.726, G.711U, MPEG2-L2, AAC, MP3, and PCM.
- Supports rotate mode decoding of front-end camera videos that are of no more than 2560 × 1440 resolution.
- Supports active decoding and passive decoding.
- Supports decoding the encrypted stream, multi-channel stream, and smart stream, editing and switching stream, and prompting for decoding exceptions.
- Supports decoding the recorded video files to the video wall.

#### Video Wall Function

- Supports splicing signal sources on the video wall, opening the signal source window, and performing signal source window roaming, scene switching, and window switching. Each screen supports four 1080p signal source windows or two 4K signal source windows.
- Each signal source window can be divided into 1, 2, 4, 6, 8, 9, 12, 16, 25, and 36 windows.
- Supports up to 64 scenes. You can customize the video wall layout and save it as a scene.
- Supports the auto-switching of up to 100 view groups on the HCP client. You can customize the camera location, scenes and time for each view group.
- Supports double clicking the divided sub-window to zoom in and double clicking again to zoom out.
- Supports displaying output channel number.
- Supports PTZ control of network signal sources, including 8-direction control, auto-scanning, aperture adjustment, focal length change, focusing, and preset calling.
- Supports setting the live view status, decoding status, switching status, audio status, and location of the signal source window.
- Supports video recording playback. You can set the playback status and select time to play back.
- Supports using the HCP client to capture images on the screen and display the captured images on the video wall.
- Supports the live view of network signal sources over RTP or RTSP.

#### Device Access

- Supports docking with 32 MP PanoVu series cameras, fisheye cameras, conventional front-end network cameras, DVRs, NVRs, XVRs, and mainstream third-party security devices.
- Supports integrating multiple decoding devices into one decoding device on the platform by using the software development kit (SDK).
- Supports using the ONVIF protocol to access the decoder.
- Supports interaction with LCD screen, including the screen information acquisition, image mode configuration, serial port control, time synchronization, backlight parameters configuration and acquisition, output port auto-binding, and error code reporting.
- Supports IPv4 and IPv6 protocols and the simultaneous access of IPv4 network sources and IPv6 network sources.
- Supports using the network keyboard or serial port keyboard to control the device, and to realize sub-window changing, group operation and auto-switching, scene changing, PTZ control, and video wall playback.

#### Maintenance

- Supports using the PC client and web browser of Chrome 45 and higher version to access and control the device.
- Provides built-in Gigabit switching network, and supports auto-adaption between the optical port and electrical port, and supports NAT.
- Supports obtaining and configuring parameters remotely, importing and exporting parameters remotely, and obtaining system running status and system logs remotely.
- Supports restarting the device remotely, restoring the default settings, and upgrading the device.
- Supports auto detection and alarm for failures, including network disconnection, IP conflict, illegal access, temperature threshold exceeding, decoding signal source exception and device exception.
- Supports user permission management, allowing users with different permissions to use designated resources and operate designated video wall modules.
- Supports visualization maintenance. The maintenance interface displays the network topology structure and keynote network status of main control system and subsystems.
- Supports manual time synchronization and NTP time synchronization.

## ▪ Specification

<b>Product Model</b>	
Product Model	DS-6908UDI(C)
<b>Interface</b>	
USB Interface	2 × USB 2.0 port
Serial Interface	1 × RS-232 serial port (RJ-45) + 1 × RS-485 serial port
Network Interface	2 × 10/100/1000 Mbps self-adaptive Ethernet interface (RJ-45) 2 × 100 BASE-FX/1000 BASE-X port Supports the self-adaption between the optical port and electrical port.
Alarm In Interface No.	8 channels of alarm input
Alarm Out Interface No.	8 channels of alarm output
<b>Power</b>	
Power Interface	Embedded 220 VAC
Device Consumption	< 70 W
<b>Video Wall</b>	
Video Walls	1
Video Wall Scale	≤8
Split Window	Supported
Window Division per Output Port	1, 2, 4, 6, 8, 9, 12, 16, 25, 36
Input Source Copy Capability	Not supported
Layers Per Screen	4 × 1080p or 2 × 4K
Layers per Device	Layers Per Screen × Output Interface(s)
Scenes	64
Plans	100 view groups on the HCP client
<b>General</b>	
Working Temperature	-10 °C to 55 °C (14 °F to 131 °F)
Working Humidity	0% RH to 90% RH
Net Weight	≤ 5.2 kg (11.46 lb)
Gross Weight	≤ 6.3 kg (13.89 lb)
Dimensions (W × H × D)	440 mm × 44.5 mm × 320.8 mm (17.32 inch × 1.75 inch × 12.63 inch)
Packing List	1 × decoder, 1 × regulatory compliance and safety information manual, 1 × mounting bracket, 1 × power cord, 4 × pads, 1 × grounding cable
<b>Audio Input</b>	
Audio Input Interfaces	2
Audio Input Interface Type	Embedded HDMI
<b>Video Input</b>	
Video Input Interface Type	2
Video Input Interfaces	HDMI 1.4
Max. Video Input Resolution	4K (only in odd-numbered port)

Video Input Resolution	<p>3840 × 2160@30 Hz, 1920 × 1200@60 Hz, 1920 × 1080@60 Hz, 1920 × 1080@50 Hz, 1280 × 720@60 Hz, 1280 × 720@50 Hz, 1600 × 1200@60 Hz, 1280 × 960@60 Hz, 1680 × 1050@60 Hz, 1440 × 900@60 Hz, 1366 × 768@60 Hz, 1280 × 1024@60 Hz, 1024 × 768@60 Hz</p> <p>Supports custom resolution.</p> <p>For 60 Hz input, width ranges from 800 to 1920, and height ranges from 600 to 1200.</p> <p>For 30 Hz input, width ranges from 800 to 3840, and height ranges from 600 to 2160.</p> <p>Width must be a multiple of 4. Height must be a multiple of 2.</p>
<b>Video Encoding</b>	
Video Encoding Format	H.264 (default), H.265
Video Encoding Channels	2
Video Encoding Capability	1 channel of 4K@30 Hz or 2 channels of 1080p@60 Hz
<b>Audio Encoding</b>	
Audio Encoding Format	G722.1, G711_U, G711_A, AAC
<b>Video Output</b>	
Video Output Interface Type	HDMI 1.4
Video Output Interfaces	8
Max. Video Output Resolution	4K
Video Output Resolution	3840 × 2160@30 Hz, 2560 × 1440@30 Hz, 1920 × 1200@60 Hz, 1920 × 1080@60 Hz, 1920 × 1080@50 Hz, 1680 × 1050@60 Hz, 1600 × 1200@60 Hz, 1280 × 1024@60 Hz, 1280 × 720@60 Hz, 1280 × 720@50 Hz, 1024 × 768@60 Hz
Loading Capacity for Video Output to LED	<p>Single port load: 2600000,</p> <p>Width: 144 - 4096,</p> <p>Height: 144 - 2160,</p> <p>Width must be a multiple of 2 and height must be a multiple of 2</p>
Video Output Interface (BNC)	2 channels of CVBS output (BNC port)
Video Output Resolution (BNC)	<p>PAL: 704 × 576@25 Hz</p> <p>NTSC: 704 × 480@30 Hz</p>
<b>Video Decoding</b>	
Video Decoding Format	H.264, H.265, Smart264, Smart265, MJPEG
Video Decoding Channels	128
Video Decoding Capability	<p>1) H.264/H.265 format: Supports decoding 4-channel 32 MP/24 MP, 8-channel 12 MP, 16-channel 8 MP, 20-channel 6 MP, 32-channel 4 MP, 64-channel 1080p, 128-channel 720p and lower resolution in real time. Every four output ports (HDMI output ports 1 to 4 and 5 to 8) forms a group and 2 groups share the decoding capabilities. Each group supports up to 4-channel smart decoding or 4-channel encrypted stream decoding. The smart decoding allows the device to decode the smart alarm events from the network cameras.</p> <p>2) MJPEG format: 8-channel of 1080p and lower resolution</p> <p>3) HIK264 format: 4-channel of 720p and lower resolution</p>
Video Decoding Resolution	Up to 32 MP
<b>Audio Output</b>	
Audio Output Interface Type	Embedded HDMI audio output port or independent DB15-to-BNC audio output port
Audio Output Interfaces	8
<b>Audio Decoding</b>	
Audio Decoding Format	G711A, G711U, G722.1, G726-16/U/A, MPEG, AAC-LC, PCM

## ▪ Physical Interface

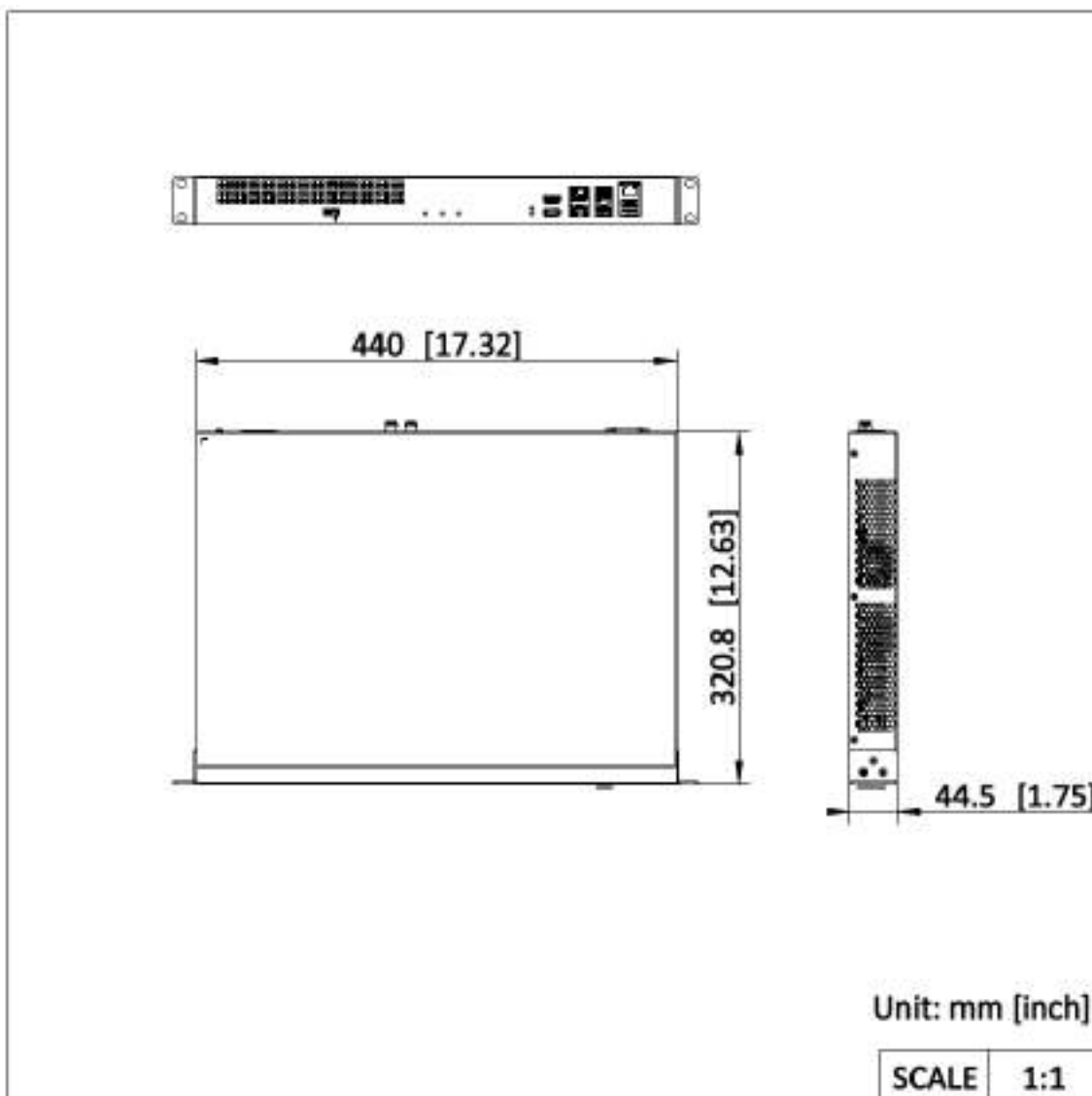


Front Panel	Description	Rear Panel	Description
SYS RUN	System running LED. It is steady green when the system runs normally.	AUDIO OUT	Audio output port
NET	Internal network LED. It is steady green when the internal network of the device is normal.	HDMI OUT	HDMI output port
PWR	Power status LED. It is steady green when the device is powered on.	VIDEO OUT	Video output port
HDMI IN 1	HDMI input port 1. Its LED is steady green when the signal is connected.	RS485	RS-485 port
HDMI IN 2	HDMI input port 2. Its LED is steady green when the signal is connected.	ALARM IN	Alarm input port
G 1	1000 Mbps electrical port 1	ALARM OUT	Alarm output port
G 2	1000 Mbps electrical port 2		
OPT 1	1000 Mbps optical port 1		
OPT 2	1000 Mbps optical port 2		
RS232	Device debug serial port		
USB	USB 2.0 port		

## ▪ Available Model

DS-6908UDI(C)

▪ Dimension



See Far, Go Further



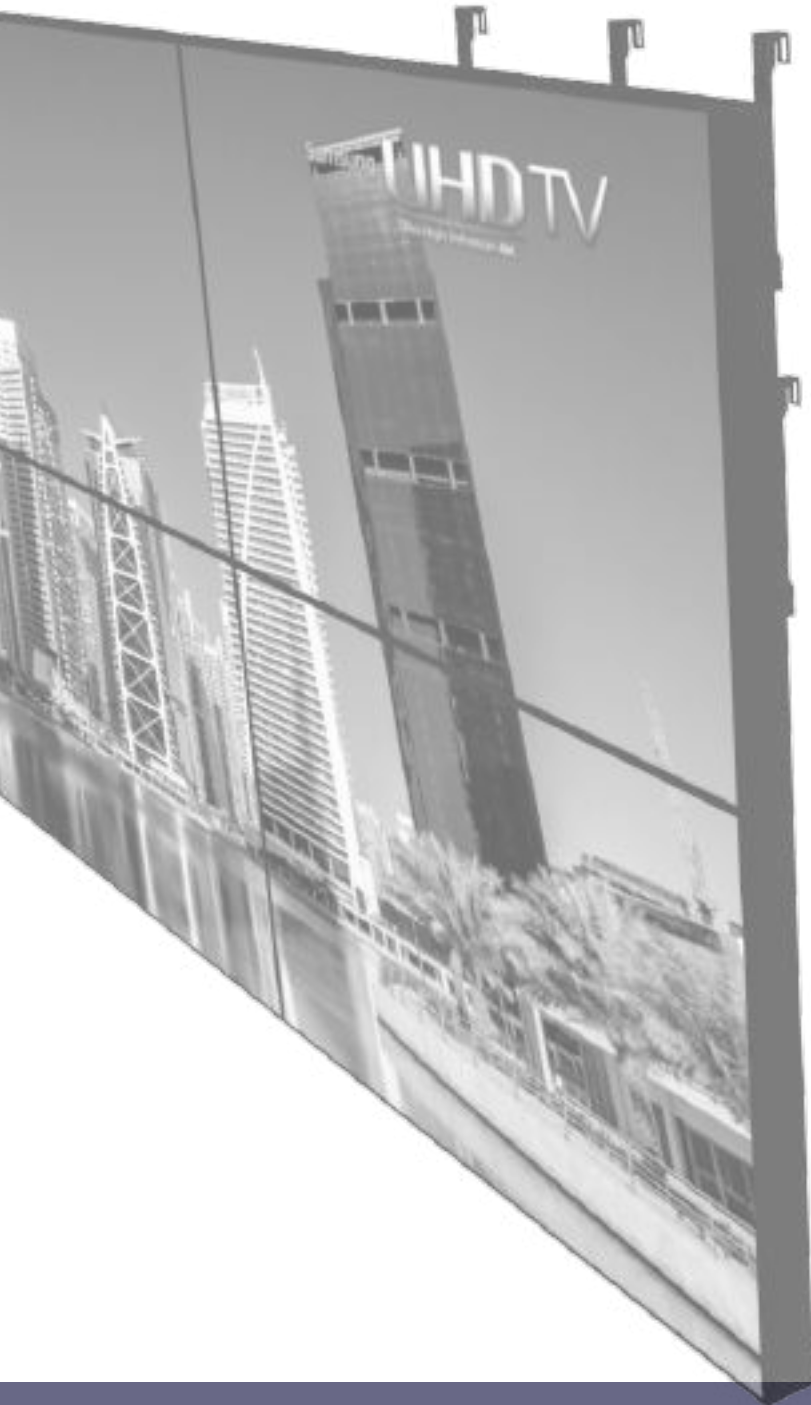
[www.hikvision.com](http://www.hikvision.com)  
[support@hikvision.com](mailto:support@hikvision.com)



# Manual de Instalação



## Suportes Profissionais Video Wall



**[www.suportaco.com](http://www.suportaco.com)**

SAC: Serviço atendimento ao Consumidor

**11 96170-6292**

[contato@suportaco.com](mailto:contato@suportaco.com)

# ÍNDICE

Este manual poderá conter imagens, ilustrações ou conteúdos diferente do modelo adquirido.

Este manual está sujeito a revisão por parte do fabricante

APRESENTAÇÃO	-----	3
INTRUÇÕES DE SEGURANÇA	-----	4,5
FERRAMENTAS NECESSARIAS PARA INSTALAÇÃO	-----	6
SUPORTE SVW-2X3 46/49	-----	7
PASSO A PASSO INSTALAÇÃO	-----	8 à 14
RESOLUÇÃO DE PROBLEMAS	-----	15
CERTIFICADO DE GARANTIA	-----	16

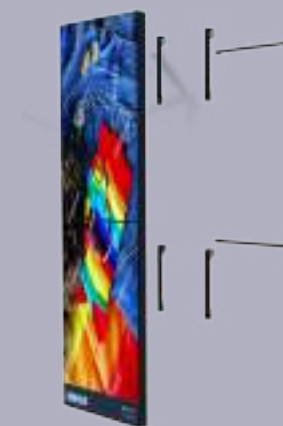
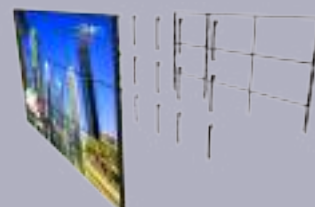
# APRESENTAÇÃO

## Suporteço

Nossa Empresa atua no segmento de áudio & vídeo desde 1997, com uma equipe altamente qualificada em instalações e reparos, sentiu a necessidade de desenvolver produtos com maior qualidade e funcionamento simplificado, no qual consiga obter excelência no projeto.

A partir de 2007 foi criado um setor de projeto e desenvolvimento de suportes e estruturas Metálicas para Televisores, Monitores Profissionais, Monitores de Sistema Video Wall e Painel de Led. Será um prazer participar de novos projetos, nossa equipe de desenvolvimento sempre aguarda novos desafios.


Aproveitam o máximos nossos produtos e leia o manual com extrema atenção.




# INSTRUÇÕES DE SEGURANÇA

As seguintes diretrizes de segurança se destinam a prevenir danos ou riscos inesperados provenientes da utilização incorreta ou insegura do produto.

As diretrizes estão divididas em "AVISO" e "CUIDADO", conforme descrito abaixo.

 Este símbolo é exibido para indicar problemas e utilizações que podem apresentar riscos. Leia atentamente a parte com este símbolo e siga as instruções para evitar riscos.

 AVISO - Indica que o não cumprimento das instruções pode provocar lesões graves ou a morte.

 CUIDADO - Indica que o não cumprimento das instruções pode provocar lesões menores ou danos ao produto.

 AVISO

Para reduzir o risco de explosão, incêndio, morte, choque elétrico, lesões ou queimaduras nas pessoas ao instalar o produto, siga as precauções básicas, incluindo as informações abaixo:

## Crianças em ambiente doméstico

Este aparelho não é destinado a pessoas (incluindo crianças) com capacidades mentais, sensoriais ou físicas reduzidas ou com falta de conhecimento e experiência, a menos que sejam supervisionadas ou recebam instruções referentes ao uso do mesmo por meio da pessoa responsável por sua segurança. As crianças devem ser supervisionadas para garantir que não brinquem com o aparelho.

# INSTRUÇÕES DE SEGURANÇA

## Instruções de segurança importantes

### Instalação

Não instale os Suportes em uma superfície instável ou em lugares onde exista perigo de queda do mesmo.

Contate um centro de serviço autorizado, com capacidade técnica, certificada e com Normas Regulamentação (NRs) em dias, ao instalar ou deslocar o Suportes de forma segura.

Utilize equipamentos de segurança individual (EPI), e se preciso utilize equipamentos de segurança coletiva (EPC).

### Funcionamento

Certifique-se de utilizar apenas as peças listadas na lista de peças de reposição. Nunca tente modificar o equipamento.

Certifique-se de que as crianças não batam nem tentem subir em cima do equipamento.

Certifique-se que a pessoa esteja capacitada e faça a leitura completa do manual do equipamento.

Contate um centro de serviço autorizado no caso de o suporte danifique. Para limpar o interior, contate um centro de serviço autorizado ou o revendedor. A utilização de detergentes agressivos, Solventes, pode causar corrosão ou danificar o aparelho.

### Manutenção

Não limpe o aparelho borrifando água diretamente no mesmo.

Antes de limpar ou realizar a manutenção, desconecte a fonte de alimentação do monitor instalado.

# FERRAMENTAS NECESSÁRIAS PARA INSTALAÇÃO

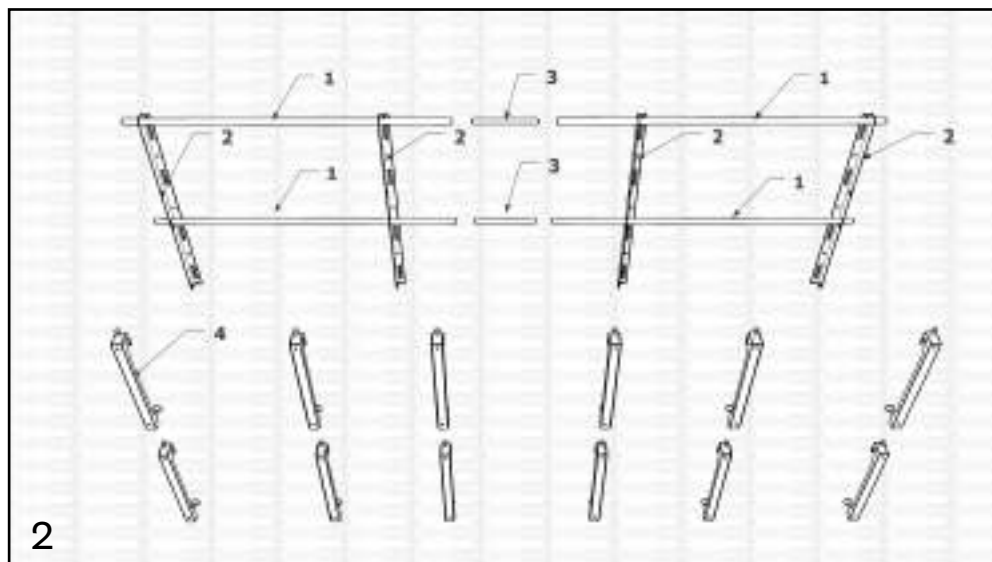
## Ilustração 1



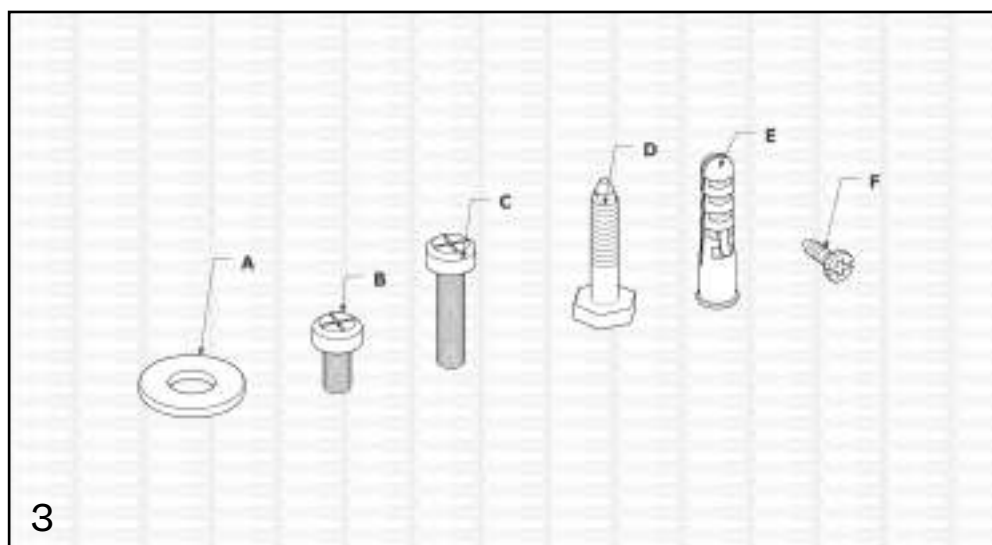
As Ferramentas acima listada acima, são necessárias, mas a montagens pode ser feita com outro tipo de ferramentas, fica critério do proprietário do equipamento adquirido.

# SUPORTE SVW-2x3 46/49

ID	QTD	DESCRIÇÃO
1	4	Suporte Tubo Principal 1'x1,5mx2mm
2	4	Base SVW-2x3 46/49
3	2	Tubo Emenda Redondo 0,30m
4	12	Haste SVW com regulagem



ID	QTD	DESCRIÇÃO
A	24	Espaçador 1mm
B	24	Parafuso M8x16mm
C	24	Parafuso M8x35
D	12	Parafuso Sextavado Soberba
E	12	Bucha 10mm
F	12	Parafuso Brocante



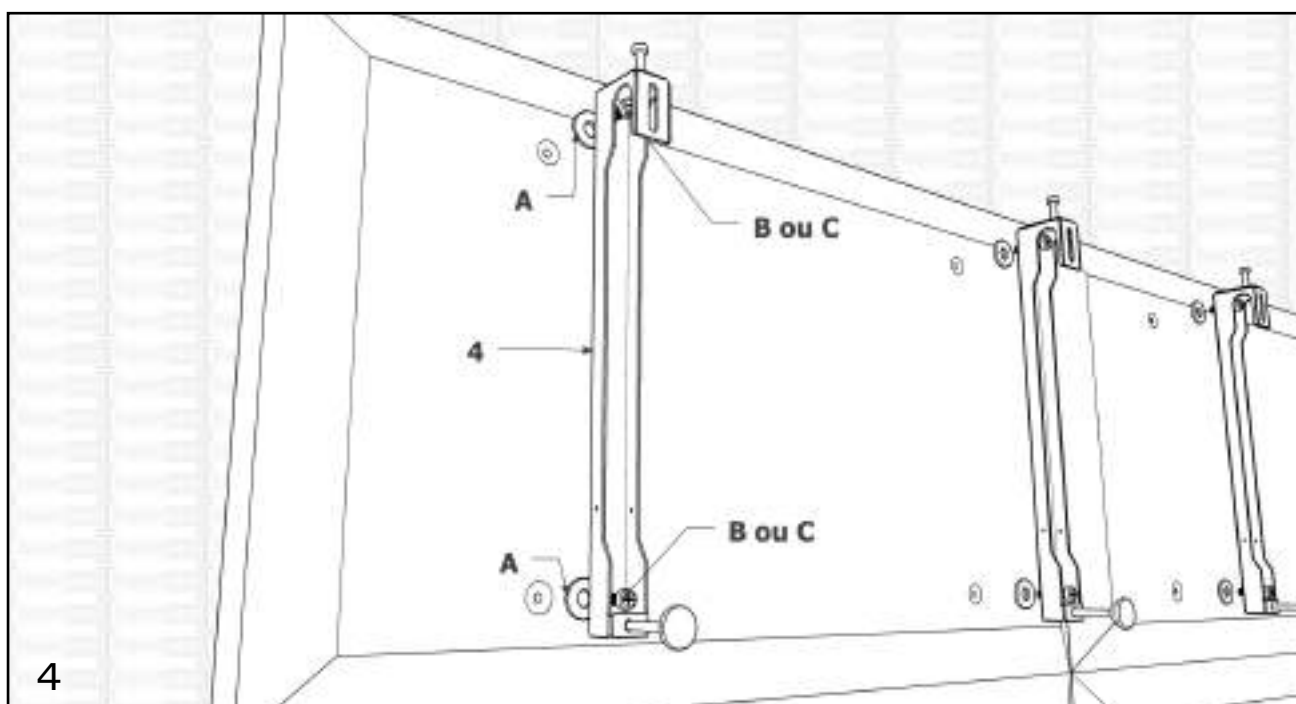
# PASSO A PASSO PARA INSTALAÇÃO

## ! ATENÇÃO!!!

Para começar a instalação, verifique se o suporte está com todas peças descrita nesse manual, conforme ilustração 2 e 3. Certifique que as ferramentas descritas na Ilustração 1 esteja em ótimo estado para utilização na montagem do suporte, para que seja garantida segurança de operadores e técnicos.

### 1º Passo

Conforme Ilustração 4 abaixo, instale todas as hastes nos monitores, seguindo a ordem, espaçador **A**, Haste **4** e Parafuso M8 **B** ou **C**, dependendo da profundidade de fixação do monitor.

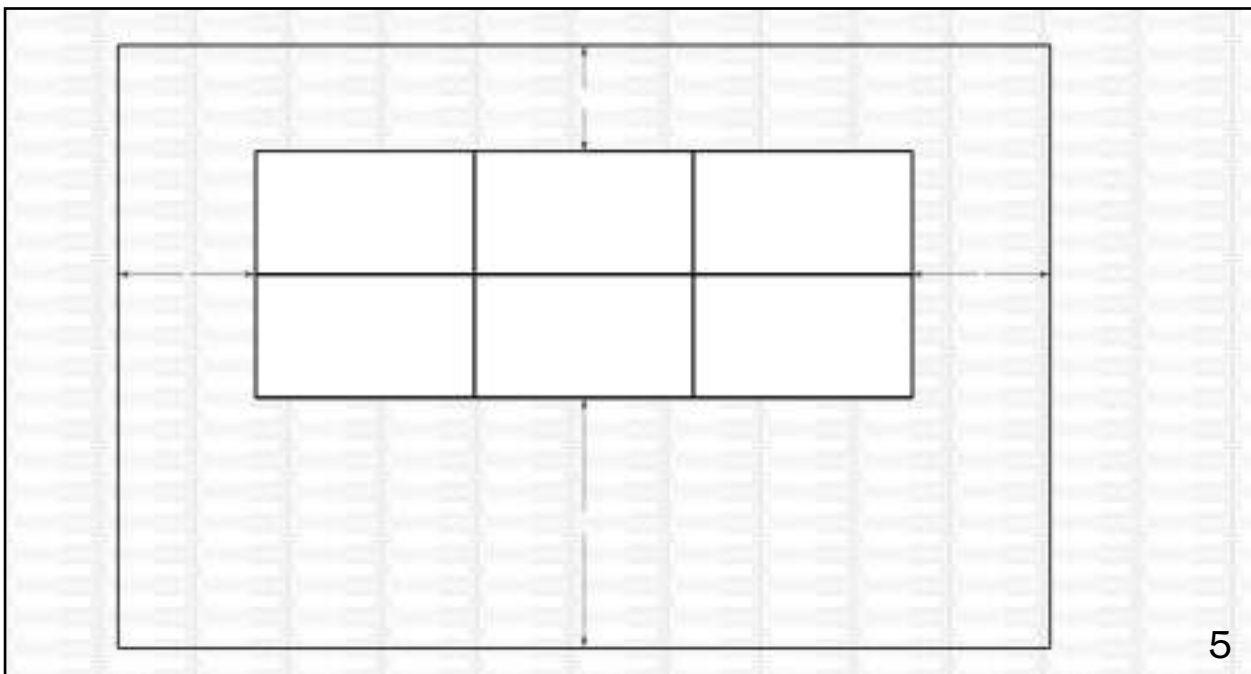


# PASSO A PASSO PARA INSTALAÇÃO

## 2º Passo;

**!** Verifique o local de instalação do suporte, o kit de fixação fornecido no kit é **somente para Parede de Alvenaria**, para demais tipos de Parede é de TOTAL responsabilidade da equipe de execução da Instalação. Verifique se a parede não tenha obstrução, Trincas, Canos de Hidráulica, Cabos de Elétrica ou qualquer coisa que possa colocar em risco a instalação.

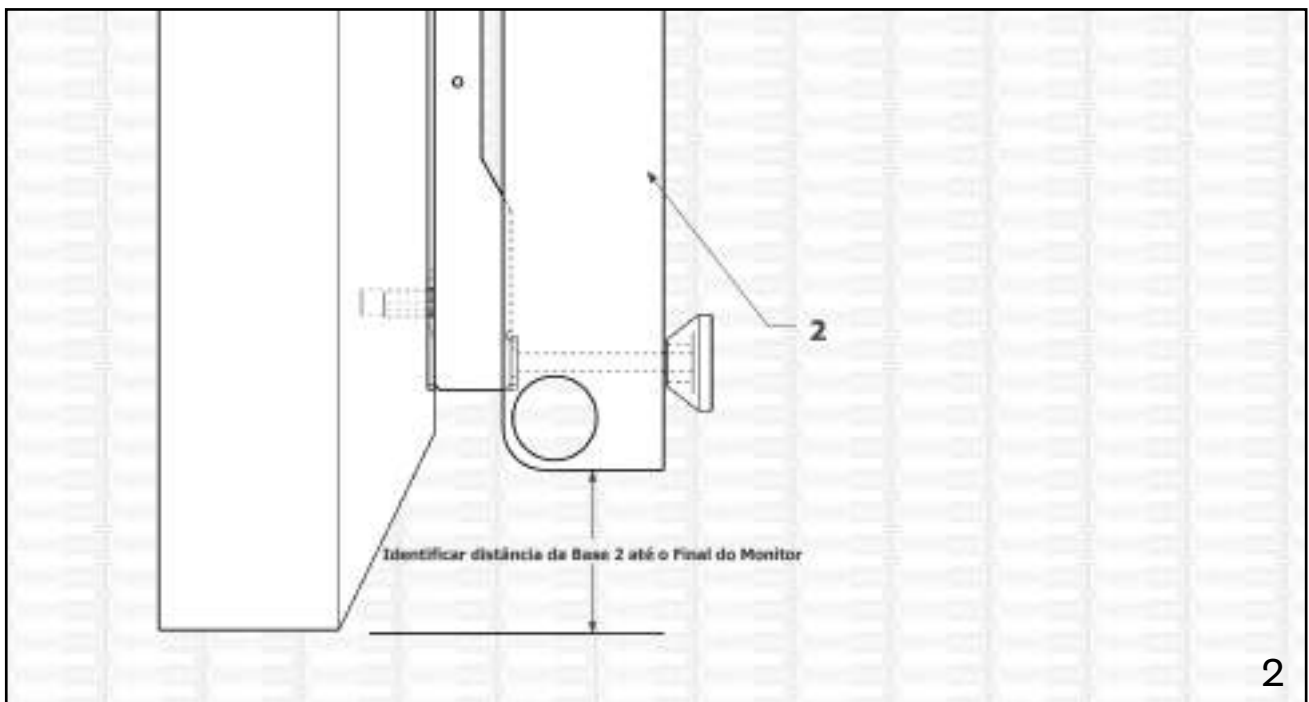
Definir altura aonde será fixado os monitores conforme ilustração 5, essas medidas são necessárias para seguir os passos corretamente, para uma instalação adequada do Suporte.



# PASSO A PASSO PARA INSTALAÇÃO

## 3º Passo;

Verifique a medida do monitor com a base encaixada na haste conforme a Ilustração 6 e tira as medidas necessárias para fixar a Base SVW-2x3 46/49 item **2** junto com o Tubo Principal encaixada, especificamente aonde ele vai começar e terminar, assim defina na parede a altura correta para fixação da Base.

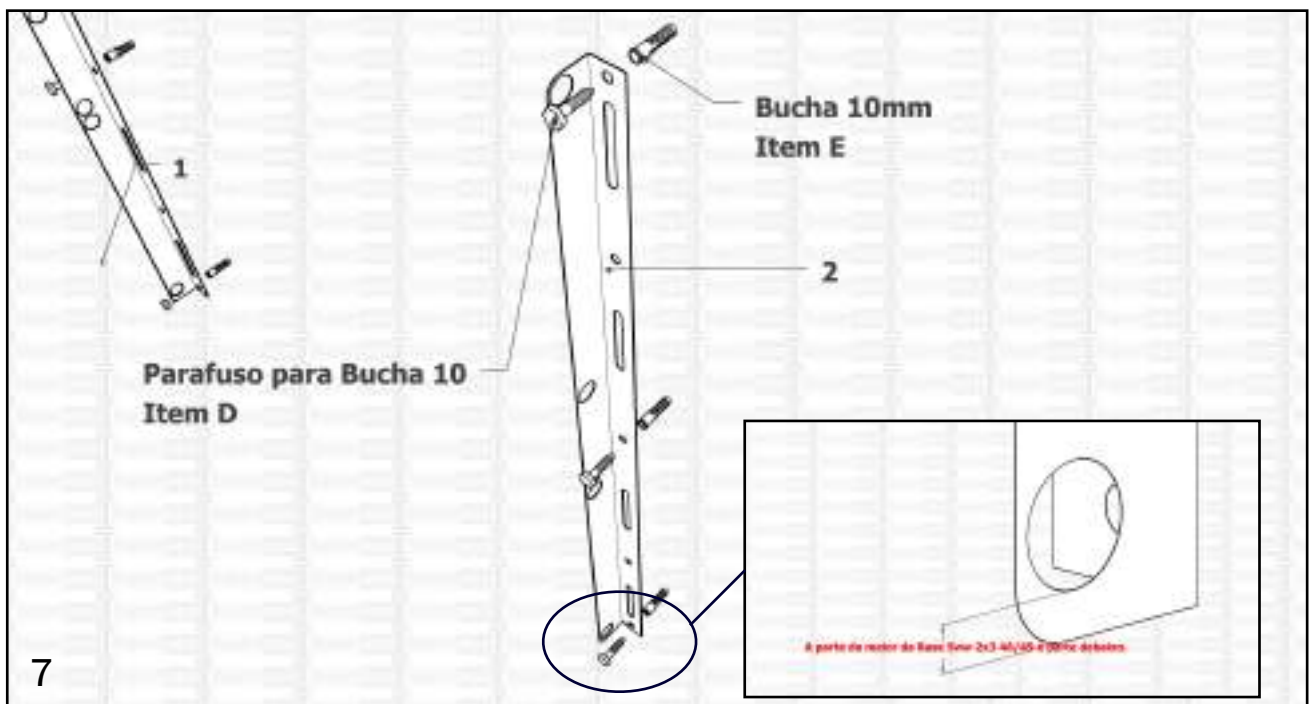


OBS: Muita ATENÇÃO nesse passo, pois ele é um dos principais para qualidade da instalação, as medidas tem que ser precisa para definir a altura desejada.

# PASSO A PASSO PARA INSTALAÇÃO

## 4º Passo;

Fixação da Base SVW-2x3 46/49 item **2** . Com as Medidas em mãos, defina ela na parede de alvenaria, marque e faça os furos e fixe as bases e Tubos Principais **2** com seus Tubos Emendas **3**, utilize a parafusadeira com Bit PHS, e prenda os dois itens com Parafuso Brocante **F**, conforme ilustração 7;

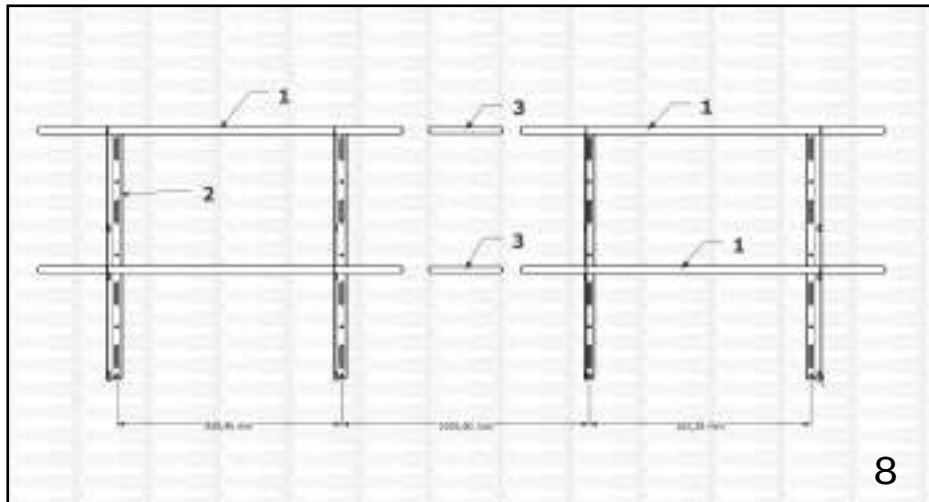


**!** Certifique se a ancoragem do parafuso com a bucha ficou completamente firme, caso não fique, faça outra furação na parede em um ponto melhor o local de instalação do suporte, o kit de fixação fornecido no kit é **somente para Parede de Alvenaria**, para demais tipos de Parede é de TOTAL responsabilidade da equipe de execução da Instalação.

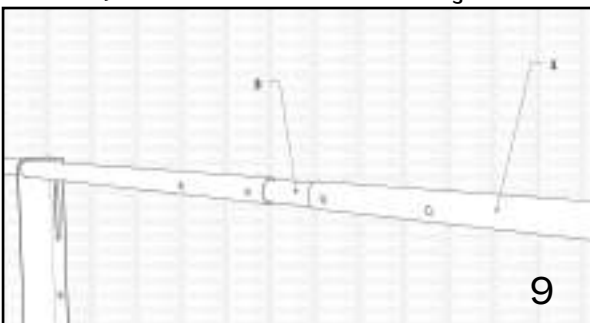
# PASSO A PASSO PARA INSTALAÇÃO

## 5º Passo;

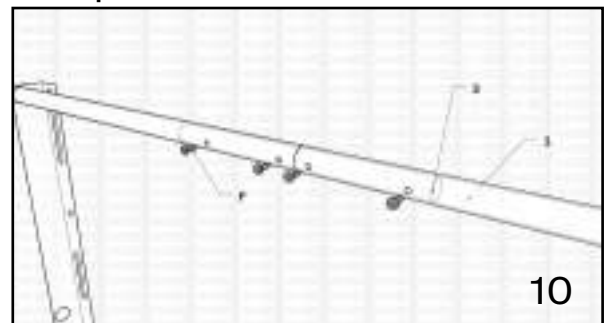
Após a fixação da Base SVW-2x3 46/49 item **2**, encaixe os Tubos Principais, conforme Ilustração 8;



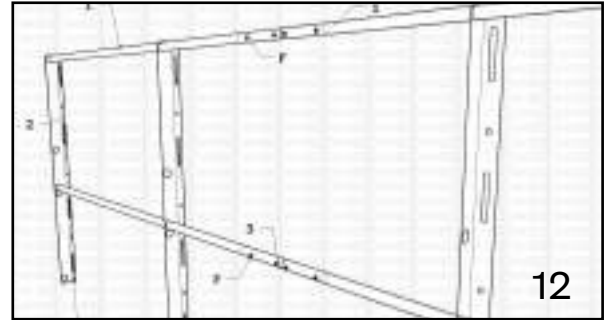
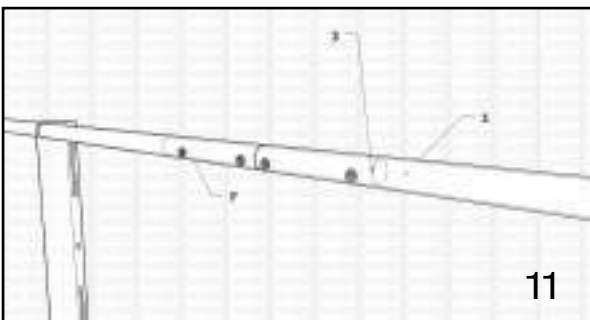
**6º Passo;** Encaixe Tubo Emenda **3**, conforme Ilustração 9.



**7º Passo;** Com a Parafusadeira, coloque Parafusos Brocantes **F**.

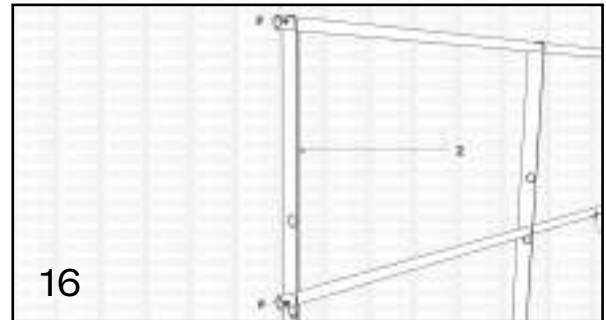
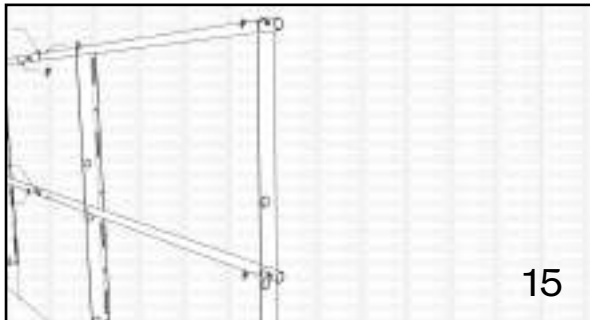
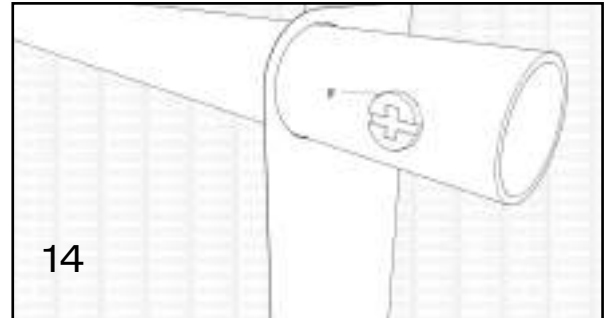
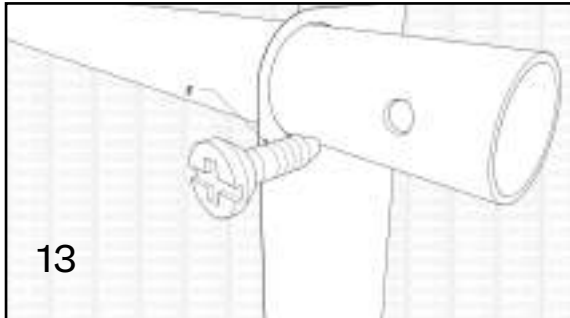


**8º Passo;** Certifique que Parafusos fiquem Encaixado, conforme Ilustração 11 e 12.

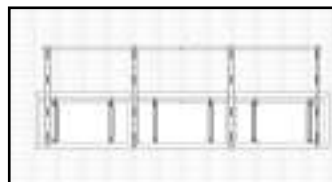
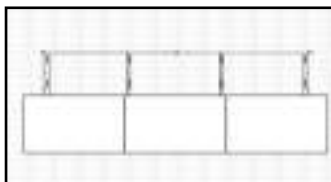


# PASSO A PASSO PARA INSTALAÇÃO

**9º Passo;** Fixação dos Limitadores, com a Parafusadeira coloque Parafuso brocante **F**, no limite de cada Tubo Principal, siga todos os passos conforme as Ilustrações 13,14,15 e 16.



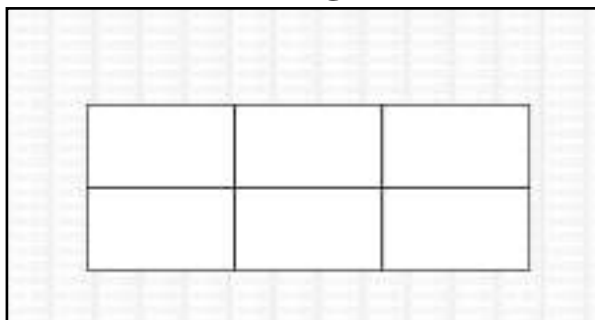
**10º Passo;** Depois da estrutura fixa, comece colocando os monitores da parte de baixo, após colocar os 3 monitores, ajuste a altura colocando os monitores simétricos e com o Nível regule, conforme ilustração 17,18 e 19.



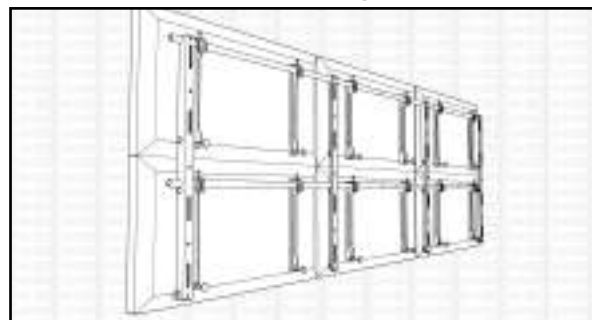
Siga a sequência das Ilustrações e com os Ajuste de Nível e Inclinação coloque eles na melhor posição.

# PASSO A PASSO PARA INSTALAÇÃO

**11º Passo;** Depois de Regular os Monitores, coloque os monitores superiores e ajuste. Utilize os Ajustes de Nível e levante os monitores até que o superior não encoste no inferior, assim fica eles não colocarem sobre carga nos monitores inferiores e os danifiquem.



20



21

Para Utilizar a função Basculante, os monitores tem que estar completamente alinhados, para que o movimento não danifiquem os mesmos. Função basculante serve para o integrador poder ter acesso as conexões dos monitores, após a utilização, o monitor tem que voltar para sua posição.



22



23

Em caso de Dúvidas, contate nosso departamento técnico através do WhatsApp: [11 96170-6292](https://api.whatsapp.com/send?phone=11961706292) ou email: [contato@suportaco.com](mailto:contato@suportaco.com)  
Suportação é uma marca da DF Freires Sistema de Áudio & Vídeo Ltda.  
CNPJ: 33.646.299/0001-05  
Rua João Coelho Barbosa, 13 , Jd.São Luiz, Cep: 05843-280 São Paulo/Sp

**[www.suportaco.com](http://www.suportaco.com)**  
SAC: Serviço atendimento ao Consumidor  
**11 96170-6292**  
[contato@suportaco.com](mailto:contato@suportaco.com)

# RESOLUÇÃO DE PROBLEMAS

Sintomas	Possíveis causas e soluções
<b>Base não fixa na parede.</b>	Caso a o parafuso nano fique firme na bucha, confira a estrutura da parede, se ela é realmente de alvenaria, caso seja outro tipo utilize buchas próprias para cada tipo de parede. No Kit fixação fornecido pela Suporteço acompanha somente buchas para Parede de Alvenaria.
<b>Os Tubos Principais não encaixa.</b>	Os tubos fornecidos são testado e aprovados pelo departamento de qualidade da Suporteço, confira se não existe alguma avaria nos tubos e na Base.
<b>Os Monitores não encaixam, eles pegam um no outro.</b>	Confira se hastes fornecidas estão na posição corretas e iguais para todos os monitores, confira se os Tubos Principais estejam nas posição correta, utilize a regulagem de Nível de cada Haste para regular.
<b>Há um espaço entre os monitores.</b>	Confira se hastes fornecidas estão na posição corretas e iguais para todos os monitores, confira se os Tubos Principais estejam nas posição correta, utilize a regulagem de Nível de cada Haste para regular, verifique se elas não estão totalmente apertadas.
<b>Os Monitores estão Inclínados para cima.</b>	Confira se os ajustes de Prumo/Inclinação estejam ajustadas, caso precise rosquei até chegar no ponto 0.
<b>Os Monitores estão Inclínados para baixo.</b>	Confira se os ajustes de Prumo/Inclinação estejam ajustadas, caso precise rosquei até chegar no ponto 0.
<b>Não consigo bascular.</b>	Verifique se os ajuste de nível esteja corretamente regulado. Verifique se não tenha cabos de Imagem e elétrica obstruindo.

# Certificado de Garantia

## Garantia do Produto

A Suportação oferece ao usuário deste produto garantia contratual pelo período de 09 (nove) meses contados a partir da data de entrega efetiva do produto ao primeiro adquirente ou da data de emissão da nota fiscal de compra, e garantia legal de 90 (noventa) dias contados do término da garantia contratual, totalizando 12 (doze) meses de garantia contra defeito e/ou vício de fabricação e de material nos produtos, desde que os produtos tenham sido instalados conforme orientações descritas no manual de instalação que acompanha o produto. A garantia do produto somente será aplicável em Território brasileira.

## A Garantia Legal e Contratual perderá seu efeito se:

O produto não for utilizado para os fins que se destina a e em desacordo com o manual de instalação.

O produto não tiver sido instalado conforme orientações descritas no manual de instalação, ou seja, quando inobservadas instruções, quando aplicável, quanto ao nivelamento, inclinação, montagem das bases e conexões.

O produto for submetido a intervenções, tais como alterações ou modificações que altere a características / estruturas e finalidade do produto.

## Condições não cobertas pela garantia do produto

Houver danos recorrentes de mau uso, desempenho insatisfatório mau instalação, acidente, queda, agentes naturais como maresia, salinidade e

Data da Compra \_\_\_\_/\_\_\_\_/20\_\_

Revenda:

Carimbo:

Modelo:

Código OP:

Nota Fiscal nº:



## A SOLUÇÃO DEFINITIVA PARA SEUS EQUIPAMENTOS ELETRÔNICOS.

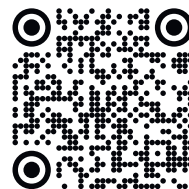
- **Praticidade**  
Instalação simplificada que economiza espaço.
- **Acesso Fácil**  
Porta frontal e painéis laterais removíveis.
- **Organização de Cabos**  
Aberturas estratégicas para gerenciamento eficaz.
- **Excelente Ventilação**  
Espaço para dois exaustores e ventilação natural através de aletas laterais.
- **Durabilidade**  
Estrutura modular resistente com pintura eletrostática a pó.
- **Ajustabilidade**  
Planos de fixação frontais e traseiros reguláveis para adaptar-se às suas necessidades.

### OPCIONAIS

Acabamento:  
Porta com vidro temperado  
Porta Perfurada

Estrutura:  
Soldada

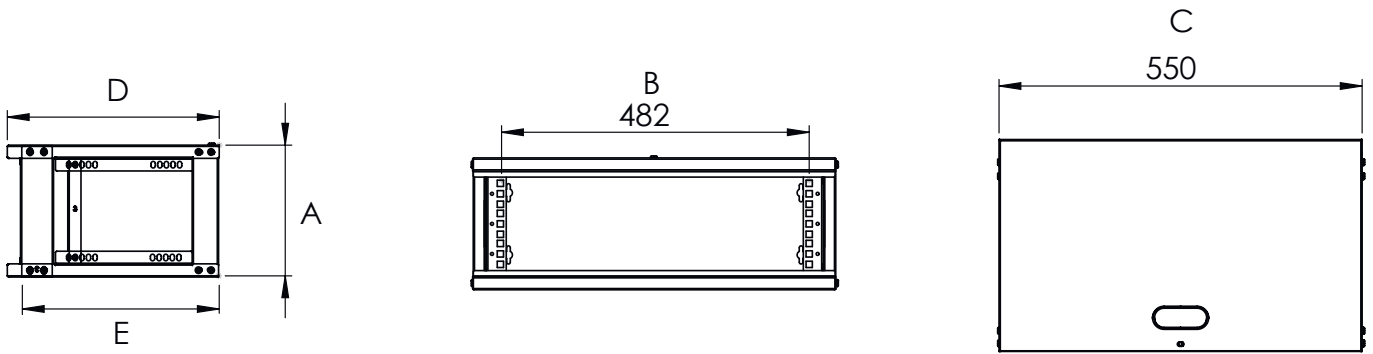
Cores:  
● Preto  
● Bege



Assista o vídeo

## MINI RACK MODULAR

ALTURA ÚTIL	ALTURA EXTERNA A	LARGURA INTERNA B	LARGURA EXTERNA C	PROFUNDIDADE EXTERNA D	PROFUNDIDADE INTERNA E
12U	698 mm	482 mm	550 mm	320 mm   370 mm   470 mm   570 mm   670mm	300 mm   350 mm   450 mm   550 mm   650mm



## ESPECIFICAÇÕES TÉCNICAS

### DIMENSIONAL

Tamanho	12U
Profundidade	320 mm, 370 mm, 470 mm, 570 mm, 670mm
Padrão	19 Polegadas
Largura	550mm

### ESTRUTURAL

Tipo	Modular com quadro frontal monobloco soldado e fundo monobloco, aço SAE 1020 de espessura 0,75mm
Porta	Porta removível e reversível ambos os lados com visor acrílico fumê de espessura de 2mm e fechadura cilíndrica com um par de chaves.
Teto	Abertura para dois exaustores e uma passagem de cabo destacável de 85mm por 35mm
Laterais	Removíveis com aletas de ventilação e fechos rápidos
Base	Com uma passagem de cabo destacavel de 85mm por 35mm
Fundo	Com quatro furos para a fixação na parede, enviamos as buchas e os parafusos.
Planos de fixação	Quatro planos de fixação com regulagem de profundidade, fabricados em chapa de aço SAE 1020 com espessura de 1,20mm. OBS na profundidade 320mm somente um par de planos de fixação é enviado. (Furos de 9,9mm para porca-gaiola)

### ACABAMENTO

Pintura	Eletrostática a pó texturizada com tratamento de superfície. Cor Preto.
---------	---

### GERAIS

SKU	RFMRDP12U300 RFMRDP12U370 RFMRDP12U470 RFMRDP12U570 RFMRDP12U670
Aplicação	Ambiente indoor
Capacidade de peso	50 Kg
Garantia	2 anos de garantia para defeitos de fabricação
Projetado e Fabricado conforme Normas	IP 20 / IEC297 e DIN 41494

### ACESSÓRIOS COMPATÍVEIS

Bandeja Fixa	Todas as bandejas fixas que a profundidade seja menor que a profundidade interna do mini rack de parede
Bandeja Móvel	Todas as bandejas móveis que a profundidade seja menor que a profundidade interna do mini rack de parede
Bandeja Frontal	Todas as bandejas frontais que a profundidade seja menor que a profundidade interna do mini rack de parede
Guia Cabo	Todos os modelos para rack padrão 19"
Régua de Tomadas	Todos os modelos para rack padrão 19"
Kit Ventilação	Kit de ventilação Duplo
Frente Falsa	Modelo para rack padrão 19" - 1U, 2U e 4U
Kit Porca Gaiola	Para a fixação dos acessórios ( 10 unidades ou 100 unidades)

# DATASHEET TÉCNICO

## Kit Ventilação Duplo Flex – Rack Padrão 19"

Marca	RackFort
Modelo	RFKVDF2
Quantidade de Ventiladores	2 micro ventiladores
Tensão	Bivolt (110V / 220V)
Proteção	Fusível de proteção interno
Controle	Chave Liga / Desliga
Instalação	Teto interno do rack
Compatibilidade	Racks padrão 19"
Aplicação	CPD, Data Center, Sala de TI, Telecom

O Kit Ventilação Duplo Flex foi desenvolvido para promover ventilação forçada em racks padrão 19", auxiliando na redução da temperatura interna e aumentando a vida útil dos equipamentos instalados.

## Calha de tomadas 19"



Calhas com 4, 6, 8, 10 e 12 tomadas com fixação para 19"  
Tomadas padrão brasileiro (NBR 14136) 2P +T (10A e 20A) 250V  
Cabo constituído de 3 via PP 2,5 m de Comprimento (10A e 20A) com plug;  
Montadas com barramento de latão  
Estrutura em aço com pintura eletrostática poliéster, RAL 9011 preto texturizado;  
Cantoneira giratória para quatro posições de fixação.



Dados Técnicos			
Código	largura	Qtd de Tomadas	Amper
CALHA 0019	483(19")	4	10A
CALHA 0015	483(19")	4	20A
CALHA 0020	483(19")	6	10A
CALHA 0030	483(19")	6	20A
CALHA 0021	483(19")	8	10A
CALHA 0009	483(19")	8	20A
CALHA 0037	483(19")	10	10A
CALHA 0014	483(19")	10	20A
CALHA 0024	483(19")	12	10A
CALHA 0028	483(19")	12	20A

## Calha de tomadas especial 10 e 12



Calhas com 10 e 12 tomadas

Tomadas padrão brasileiro (NBR 14136) 2P + T (10A e 20A) 250V

Cabo constituído de 3 via PP 2,5 m de Comprimento (10A e 20A) com plug;

Montadas com barramento de latão

Estrutura em aço com pintura eletrostática poliéster, RAL 9011 preto texturizado;

Cantoneira giratória para quatro posições de fixação.



### Dados Técnicos

Código	largura	Qtd de Tomadas	Amper
CALHA 0096	683	10	10A
CALHA 0017	683	10	20A
CALHA 0022	683	12	10A
CALHA 0010	683	12	20A

[www.wjmoreira.com.br](http://www.wjmoreira.com.br)

Rua Amacás, 424 - Jardim Leonidas Moreira

São Paulo - SP, 05792-030, Brasil

(11)5846-1041

[contato@wjmoreira.com.br](mailto:contato@wjmoreira.com.br)

## Calha de tomadas com fusível



Calhas com 4, 6, 8, 10 e 12 tomadas e fusível com fixação para 19"  
Tomadas padrão brasileiro (NBR 14136) 2P + T (10A e 20A) 250V  
Cabo constituído de 3 via PP 2,5 m de Comprimento (10A e 20A) com plug;  
Montadas com barramento de latão  
Estrutura em aço com pintura eletrostática poliéster, RAL 9011 preto texturizado;  
Cantoneira giratória para quatro posições de fixação

Dados Técnicos			
Código	largura	Qtd de Tomadas	Amper
CALHA0073	483(19")	4	10A
CALHA0067	483(19")	4	20A
CALHA0074	483(19")	6	10A
CALHA0068	483(19")	6	20A
CALHA0053	483(19")	8	10A
CALHA0058	483(19")	8	20A
CALHA0075	483(19")	10	10A
CALHA0072	483(19")	10	20A
CALHA0076	483(19")	12	10A
CALHA0069	483(19")	12	20A

## Calha de tomadas com disjuntor



Calhas com 4, 6, 8 tomadas e disjuntor unipolar com fixação para 19"  
Tomadas padrão brasileiro (NBR 14136) (10A e 20A) 250v  
Cabo constituído de 3 via PP 2,5 m de Comprimento (10A e 20A) com plug;  
Montadas com barramento de latão  
Estrutura em aço com pintura eletrostática poliéster, RAL 9011 preto texturizado;  
Cantoneira giratória para quatro posições de fixação.

Dados Técnicos			
Código	largura	Qtd de Tomadas	Amper
CALHA0099	483(19")	4	10A
CALHA0079	483(19")	4	20A
CALHA0080	483(19")	6	10A
CALHA0060	483(19")	6	20A
CALHA0050	483(19")	8	10A
CALHA0054	483(19")	8	20A

Dados Técnicos			
Codigo	largura	Qtd de Tomadas	Amper
CALHA0103	683	10	10A
CALHA0064	683	10	20A
CALHA0104	683	12	10A
CALHA0065	683	12	20A

# CABO HDMI 2.0 - 4K HDR 19P 5M

Os cabos PIX estão em total conformidade com o padrão HDMI 2.0, oferecem todos os recursos do padrão 1.4 e além disso, atingem 18Gbps de largura de banda e permitem a resolução de 4K em 3D com até 60 quadros por segundo 32 canais de som e proporção de imagem de cinema (21:9) para a melhor experiência em filmes e games.



PARA JOGOS, FILMES E ESPORTES EM 4K@60HZ\*

PONTAS GOLD 24K

3 ANOS DE GARANTIA

4K RESOLUÇÃO 4K

HDR - MAIOR GAMA DE CORES

18 Gbps ALTA VELOCIDADE E LARGURA DE BANDA

## ESPECIFICAÇÕES TÉCNICAS

- PLUG injetado em PVC
- Condutores AWG 30
- Conectores banhados a ouro
- Suporte total à saída de cor 4:4:4
- Performance de áudio otimizada
- Gama de cores HDR
- Com blindagem Mylar

## DIMENSÕES & PESO

Unidade: 22,6 x 17,8 x 3 cm (AxLxE)  
Peso: 0,210Kg  
Caixa: 37 x 37 x 37 cm (AxLxP)  
Peso: 11,500Kg

## INFORMAÇÕES FISCAIS

Classificação Fiscal (NCM): 85444200

## CÓD. DE BARRAS

Unidade: 7899744021104  
Caixa Mãe: 17899744021101

## QUANTIDADE

Unidade: 1 peça  
Caixa Mãe: 50 peças

## Compare com as versões anteriores

FUNCCIONALIDADES	1.3	1.4	2.0
Suporte à Full HD Blu-ray e HD DVD	✓	✓	✓
CEC - Controle de até 15 dispositivos	✓	✓	✓
DVD Áudio	✓	✓	✓
Super Áudio CD (DSD)	✓	✓	✓
Auto lip-sync - Sincronização automática de áudio e vídeo	✓	✓	✓
Dolby TrueHD/DTS-HD	✓	✓	✓
CEC estendido	✓	✓	✓
Video 3D		✓	✓
Canal de ethernet 100 Mbit/s		✓	✓
ARC - Canal de retorno de áudio		✓	✓
4 canais de áudio			✓
2 canais de vídeo			✓
HDR HLG			✓
HDR estático			✓

Código: 018-2225



\* All images in this datasheet are for illustrative purposes only.

## Video Wall 55VM5J-H

# 55" Narrow Bezel Video Wall with 1.74 mm BtB



Extreme-Narrow  
Bezel



Wider  
Viewing Angle



Easy Color  
Adjustment



Efficient  
Operation

### 55VM5J-H

Screen Size	55"
Aspect Ratio	16 : 9
Native Resolution	FHD (1,920 × 1,080)
Brightness	500 nits (Typ.)
Contrast Ratio	1,000:1



### Large Screens with Narrow Bezel

The slim bezel, with its 1.74mm BtB (Bezel-to-Bezel) seams and delivers immersive content on assembled video wall screens.

\* The 1.74mm BtB seams have been verified by Nemko, a global institution that tests and certifies electrical equipment.



### Image Gap Reduction

The 55VM5J-H includes an image improvement algorithm that can reduce perception of image gaps among tiled displays when playing back videos. Objects located on the bezel boundaries are adjusted for a smoother viewing experience.

\* The "LG Conventional" refers to displays which do not include an image improvement algorithm.

\*\* The image shown above are for illustration purposes only.



40° High Viewing Angle\*

### High Viewing Angle

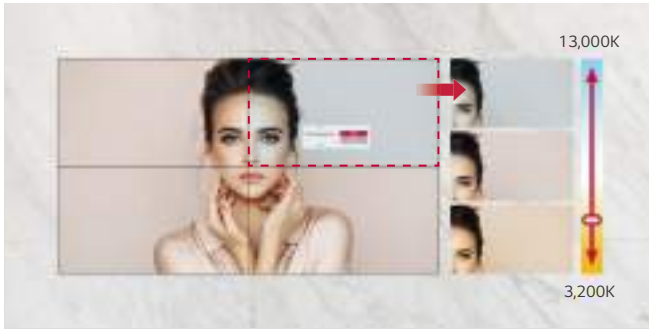
Large screens are usually positioned higher than human-eye level. Wide half luminance angle (40°) enables effective picture quality for video walls. The viewing angle of the 55VM5J-H is high enough to display vivid colors throughout even up to 40 degrees of viewing angle difference.

\* Results based on in-house testing. Actual test results may differ depending on environment and measuring equipment.



### Wide Viewing Angle

LG IPS panel technology enables stable and smooth control of liquid crystals, and allows the screen to be viewed from virtually any angle. Therefore, the 55VM5J-H captivates the attention of more viewers with lifelike colors, regardless of their horizontal viewing position.



### Easy Color Adjustment

Depending on the content, the color temperature of the display can be easily adjusted in increments of 100K using a remote control.



### Simple White Balance Adjustment

In conventional video walls, white balance was adjustable only in "full-white" mode, but the 55VM5J-H allows you to modify each value of grey scale to achieve more detailed and precise white balance adjustment.



### High Performance and Great Scalability

Thanks to its built-in System-on-Chip and webOS smart signage platform, the 55VM5J-H can execute several tasks at once while providing smooth content playback without the need for a media player. As webOS supports HTML5 as a web-based platform and offers an SDK (Software Development Kit), it is even easier for system integrators to build and optimize their web apps.

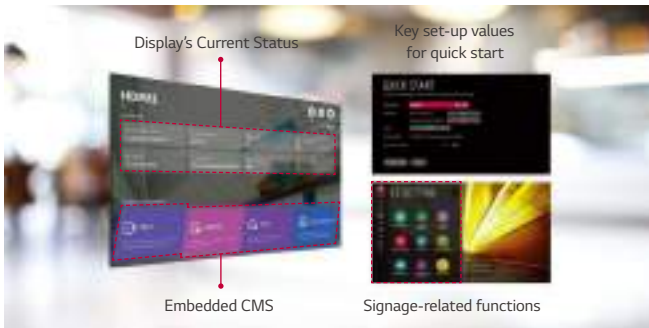
\* SDK can be downloaded at <https://webossignage.developer.lge.com>.



### Flexible Content Creation

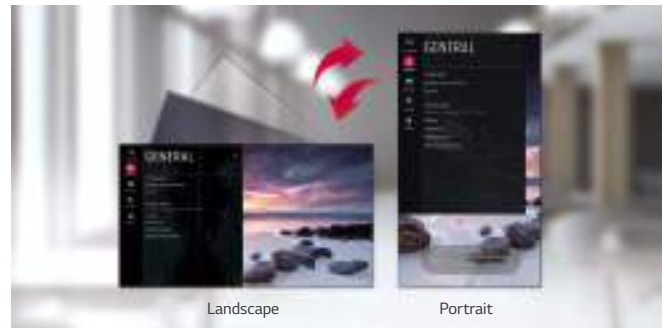
Four different videos can be played simultaneously via web apps, and various animation effects, such as scaling or rotating, are added to content using CSS (Cascading Style Sheets) transition effects. Real-time streaming is also available, providing the flexibility to organize and diversify content free from capacity limits.

\* Supported protocols: RTSP, RTP, HLS, UDP Multicast



### Intuitive Menu Structure

The menu structure has been optimized for commercial use. It simplifies approach flows and groups similar functions together, adopting a more intuitive GUI for ease of use. This way, users can avoid having to do trial-and-error when exploring desired functions and managing displays.



### Dedicated User Interface for Portrait Orientation

The user interface was designed based on landscape-oriented consumer TV usage, so on-screen display menu wasn't well-suited for screens in portrait mode. The OSD of the VM5J-H, however, consists of a long range menu with bigger font sizes and a 9:16 ratio, creating a comfortable and efficient business environment.



## Conformal Coating

Video wall in various places can't avoid exposure to environments with dust, and humidity, which may lead to hampered performance over time. Conformal coating on the major circuit board (power board) offers protection from such environments by protecting video wall from salt, dust, iron powder, humidity, etc.

\* Actual images available may differ from the example images shown.



## EMC Class B Certified

The VM5J-H is certified as EMC Class B, which requires electronic equipment made for use in residential environments as well as commercial, industrial, or business environments. Therefore, it is suitable for up-close uses such as corporate meeting rooms, board rooms, etc.



## Real-Time LG ConnectedCare

Maintenance is easy and fast with the optional LG ConnectedCare\* service, a cloud service solution provided by LG. It remotely manages the status of displays in client workplaces for fault diagnosis and remote-control services, enabling the stable operation of clients' businesses.

\* LG ConnectedCare is the brand name of LG Signage365Care Service. The availability differs by region.



MODEL	55VM5J-H	
PANEL	Screen Size	55"
	Panel Technology	IPS
	Back Light Type	Direct
	Aspect Ratio	16:9
	Native Resolution	1920 X 1080 (FHD)
	Refresh Rate	60 Hz
	Brightness	500 nits
	Contrast Ratio	1,000:1
	Dynamic CR	500,000:1
	Color gamut	NTSC 72%
	Viewing Angle (H x V)	178° X 178°
	Color Depth	10 bit, 1.07 Billion colors
	Response Time	8ms (G to G)
	Surface Treatment (Haze)	28%
	Lifetime (Typ)	60,000 Hrs
	Operation Hours (Hours/Day)	24/7
	Portrait / Landscape	Yes / Yes
CONNECTIVITY IN	HDMI	Yes (x2), HDCP2.2
	DP	Yes (x1), HDCP2.2
	DVI-D	Yes (x1), HDCP1.4
	Audio In	Yes
	RS232C IN	Yes
	RJ45(LAN)	Yes
	IR IN	Yes
USB	USB2.0 Type A	
CONNECTIVITY OUT	DP Out	Yes (Input: HDMI / DVI / DP)
	Audio Out	Yes
	RS232C OUT	Yes
	RJ45(LAN)	Yes
MECHANICAL	Bezel Color	Black
	Bezel Width (Bezel-to-Bezel)	1.74mm BtB (1.3mm (T/L), 0.44 mm(B/R))
	Bezel Width (Active area to Active area)	2.49mm AtA (1.75mm (T/L), 0.74mm (B/R))
	Weight	41.4 lbs / 18.8 kg
	Shipping Weight	61.7 lbs / 28.0 kg
	Monitor Dimension (W x H x D)	47.7 x 26.9 x 3.4 in 1212.2 x 683.0 x 86.9 mm
	Carton Dimensions (W x H x D) (Box outer size)	54.8 x 37.6 x 11.9 in 1393 x 955 x 303 mm
	Handle	Yes
	VESA™ Standard Mount Interface	600 x 400
	Operation Temperature	32°F to 104°F 0°C to 40°C
	Operation Humidity	10% to 80%
	IP Rating	IP5X
	HARDWARE FEATURES	Internal Memory
Temperature Sensor		Yes
BLU Sensor		Yes
Acceleration (Gyro) Sensor		Yes
Local Key Operation		Yes
Fanless Design		Yes
OPS type compatible		Yes (Piggyback)

MODEL	55VM5J-H	
SOFTWARE FEATURES	webOS ver.	webOS 4.1
	Local Contents Scheduling	Yes
	Group Manager	Yes
	USB Plug & Play	Yes
	Fail over	Yes
	No Signal Image	Yes
	RS-232C Sync	Yes
	Local Network Sync	Yes
	Video Tag	Yes (x4)
	Play via URL	Yes
	Screen Rotation	Yes
	External Input Rotation	Yes
	Gapless Playback	Yes
	Tile Mode Setting	Yes (Max. 15x15)
	Setting Data Cloning	Yes
	SNMP	Yes
	ISM Method	Yes
	Auto Set ID	Yes
	Status Mailing	Yes
	Control Manager	Yes
	Crestron Inside	Yes
	Smart Energy Saving	Yes
	PM mode	Yes
	Wake on LAN	Yes
	Network Ready	Yes
	HDMI-CEC	Yes
	SI Server Setting	Yes
	webRTC	Yes
	Pro:Idiom	Yes
W/B Setting by Grey scale	Yes	
Scan Inversion	Yes	
POWER	Power Supply	100-240 Vac, 50/60Hz
	Power Type	Built-In Power
	Typ. Power Consumption	160 W 546 BTU/hr
	Max. Power Consumption	190 W 648 BTU/hr
	Smart Energy Saving	90 W
	DPM	0.5 W
	Power off	0.5W
CERTIFICATION	FCC	Class "B"
	CE	Yes
	ErP / Energy Star	Yes / Energy Star 8.0
SOFTWARE COMPATIBILITY	SuperSign CMS	Yes
	SuperSign Control / Control+	Yes / Yes
	SuperSign WB	Yes
	SuperSign Media Editor	Yes
ACCESSORIES & OTHER	LG Connected Care	Yes
	Basic Accessories	Remote Controller(includes battery 2ea), Power Cord, RS232C cable, Lan cable, DP cable, IR Receiver, Guide Bracket, Screws, Manual
Optional Accessories	OPS Kit (KT-OPSF)	

## DS-6904UDI(C) Ultra High Definition Decoder



Developed on the basis of embedded hardware platform, the DS-69XXUDI(C) ultra high definition (UHD) decoder is a new generation decoder for HD network cameras and can be widely used in various video security system projects. It uses the HDMI 1.4 port and DB15-to-BNC port for decoded data output, supports various decoding formats including H.265, H.264, MJPEG, Smart264, and Smart265, supports decoding the H.265 or H.264 video of no more than 32 MP, and supports 4K video output.

### Video Input

- Supports the video input from the computers and video conference terminals, and 4K HDMI signal input.
- Supports using network cameras, NVRs, and other devices as network signal sources.
- Supports embedded HDMI audio input. The audio input supports 16 bit, 48 KHz or 32 KHz sampling rate, dual audio channel, and stereo.
- Supports signal input via the HDMI 1.4 port, 2 channels of 1080p@50/60 Hz input, or 1 channel of 4K@30 Hz input.

### Video Output

- Supports signal output via the HDMI 1.4 port, and 4K (3840 × 2160@30 Hz) UHD video output.
- Supports embedded HDMI audio output and external audio output.
- Adopts frame synchronization technology to ensure that the images of all HDMI output ports are completely synchronized, with complete picture and smooth playback, and without lag, frame loss, tearing, or splicing.
- Supports the maximum LED loading capacity of 2.6 MP per port.

### Video Encoding and Decoding

- Supports H.264 encoding format (the default), H.265 encoding formats, sub-stream encoding, and main stream encoding.
- Supports decoding the network cameras, NVRs and other network sources, decoding sub-stream and main stream, and auto-switching to sub-stream when the window division reaches the threshold.
- Provides 64 video decoding channels and supports simultaneously decoding 32 channels of 2 MP video or 64 channels of 720p video to the video wall.
- Supports decoding streams of no more than 32 MP resolution.
- Supports the mainstream decoding formats such as H.264, H.265, Smart264, Smart265, MJPEG, and HIK264, and mainstream encapsulation formats such as PS, TS, ES, and RTP.
- Supports audio decoding of G.722, G.711A, G.726, G.711U, MPEG2-L2, AAC, MP3, and PCM.
- Supports rotate mode decoding of front-end camera videos that are of no more than 2560 × 1440 resolution.
- Supports active decoding and passive decoding.
- Supports decoding the encrypted stream, multi-channel stream, and smart stream, editing and switching stream, and prompting for decoding exceptions.
- Supports decoding the recorded video files to the video wall.

#### Video Wall Function

- Supports splicing signal sources on the video wall, opening the signal source window, and performing signal source window roaming, scene switching, and window switching. Each screen supports four 1080p signal source windows or two 4K signal source windows.
- Each signal source window can be divided into 1, 2, 4, 6, 8, 9, 12, 16, 25, and 36 windows.
- Supports up to 64 scenes. You can customize the video wall layout and save it as a scene.
- Supports the auto-switching of up to 100 view groups on the HCP client. You can customize the camera location, scenes and time for each view group.
- Supports double clicking the divided sub-window to zoom in and double clicking again to zoom out.
- Supports displaying output channel number.
- Supports PTZ control of network signal sources, including 8-direction control, auto-scanning, aperture adjustment, focal length change, focusing, and preset calling.
- Supports setting the live view status, decoding status, switching status, audio status, and location of the signal source window.
- Supports video recording playback. You can set the playback status and select time to play back.
- Supports using the HCP client to capture images on the screen and display the captured images on the video wall.
- Supports the live view of network signal sources over RTP or RTSP.

#### Device Access

- Supports docking with 32 MP PanoVu series cameras, fisheye cameras, conventional front-end network cameras, DVRs, NVRs, XVRs, and mainstream third-party security devices.
- Supports integrating multiple decoding devices into one decoding device on the platform by using the software development kit (SDK).
- Supports using the ONVIF protocol to access the decoder.
- Supports interaction with LCD screen, including the screen information acquisition, image mode configuration, serial port control, time synchronization, backlight parameters configuration and acquisition, output port auto-binding, and error code reporting.
- Supports IPv4 and IPv6 protocols and the simultaneous access of IPv4 network sources and IPv6 network sources.
- Supports using the network keyboard or serial port keyboard to control the device, and to realize sub-window changing, group operation and auto-switching, scene changing, PTZ control, and video wall playback.

#### Maintenance

- Supports using the PC client and web browser of Chrome 45 and higher version to access and control the device.
- Provides built-in Gigabit switching network, and supports auto-adaption between the optical port and electrical port, and supports NAT.
- Supports obtaining and configuring parameters remotely, importing and exporting parameters remotely, and obtaining system running status and system logs remotely.
- Supports restarting the device remotely, restoring the default settings, and upgrading the device.
- Supports auto detection and alarm for failures, including network disconnection, IP conflict, illegal access, temperature threshold exceeding, decoding signal source exception and device exception.
- Supports user permission management, allowing users with different permissions to use designated resources and operate designated video wall modules.
- Supports visualization maintenance. The maintenance interface displays the network topology structure and keynote network status of main control system and subsystems.
- Supports manual time synchronization and NTP time synchronization.

## ▪ Specification

<b>Product Model</b>	
Product Model	DS-6904UDI(C)
<b>Interface</b>	
USB Interface	2 × USB 2.0 port
Serial Interface	1 × RS-232 serial port (RJ-45) + 1 × RS-485 serial port
Network Interface	1 × 10/100/1000 Mbps self-adaptive Ethernet interface (RJ-45) 1 × 100 BASE-FX/1000 BASE-X port Supports the self-adaption between the optical port and electrical port.
Alarm In Interface No.	8 channels of alarm input
Alarm Out Interface No.	8 channels of alarm output
<b>Power</b>	
Power Interface	Embedded 220 VAC
Device Consumption	< 50 W
<b>Video Wall</b>	
Video Walls	1
Video Wall Scale	≤ 4
Split Window	Supported
Window Division per Output Port	1, 2, 4, 6, 8, 9, 12, 16, 25, 36
Layers Per Screen	4 × 1080p or 2 × 4K
Layers per Device	Layers Per Screen × Output Interface(s)
Scenes	64
Plans	100 view groups on the HCP client
<b>General</b>	
Working Temperature	-10 °C to 55 °C (14 °F to 131 °F)
Working Humidity	0% RH to 90% RH
Net Weight	≤ 5.2 kg (11.46 lb)
Gross Weight	≤ 6.3 kg (13.89 lb)
Dimensions (W × H × D)	440 mm × 44.5 mm × 320.8 mm (17.32 inch × 1.75 inch × 12.63 inch)
Packing List	1 × decoder, 1 × regulatory compliance and safety information manual, 1 × mounting bracket, 1 × power cord, 4 × pads, 1 × grounding cable
<b>Audio Input</b>	
Audio Input Interfaces	2
Audio Input Interface Type	Embedded HDMI
<b>Video Input</b>	
Video Input Interface Type	2
Video Input Interfaces	HDMI 1.4
Max. Video Input Resolution	4K (only in odd-numbered port)

Video Input Resolution	<p>3840 × 2160@30 Hz, 1920 × 1200@60 Hz, 1920 × 1080@60 Hz, 1920 × 1080@50 Hz, 1280 × 720@60 Hz, 1280 × 720@50 Hz, 1600 × 1200@60 Hz, 1280 × 960@60 Hz, 1680 × 1050@60 Hz, 1440 × 900@60 Hz, 1366 × 768@60 Hz, 1280 × 1024@60 Hz, 1024 × 768@60 Hz</p> <p>Supports custom resolution.</p> <p>For 60 Hz input, width ranges from 800 to 1920, and height ranges from 600 to 1200.</p> <p>For 30 Hz input, width ranges from 800 to 3840, and height ranges from 600 to 2160.</p> <p>Width: 4 alignment, height: 2 alignment.</p>
<b>Video Encoding</b>	
Video Encoding Format	H.264 (default), H.265
Video Encoding Channels	2
Video Encoding Capability	1 channel of 4K@30 Hz or 2 channels of 1080p@60 Hz
<b>Video Output</b>	
Video Output Interface Type	HDMI 1.4
Video Output Interfaces	4
Max. Video Output Resolution	4K
Video Output Resolution	3840 × 2160@30 Hz, 2560 × 1440@30 Hz, 1920 × 1200@60 Hz, 1920 × 1080@60 Hz, 1920 × 1080@50 Hz, 1680 × 1050@60 Hz, 1600 × 1200@60 Hz, 1280 × 1024@60 Hz, 1280 × 720@60 Hz, 1280 × 720@50 Hz, 1024 × 768@60 Hz
Loading Capacity for Video Output to LED	<p>Single port load: 2600000,</p> <p>Width: 144 - 4096,</p> <p>Height: 144 - 2160,</p> <p>Width must be a multiple of 2 and height must be a multiple of 2</p>
Video Output Interface (BNC)	1 channels of CVBS output (BNC port)
Video Output Resolution (BNC)	<p>PAL: 704 × 576@25 Hz</p> <p>NTSC: 704 × 480@30 Hz</p>
<b>Video Decoding</b>	
Video Decoding Format	H.264, H.265, Smart264, Smart265, MJPEG
Video Decoding Channels	64
Video Decoding Capability	<p>1) H.264/H.265 format: Supports decoding 2-channel 32 MP/24 MP, 4-channel 12 MP, 8-channel 8 MP, 10-channel 6 MP, 16-channel 4 MP, 32-channel 1080p, 64-channel 720p and lower resolution in real time.</p> <p>Four output ports (HDMI output ports 1 to 4) form a group and the group share the decoding capabilities. The group supports up to 4-channel smart decoding or 4-channel encrypted stream decoding. The smart decoding allows the device to decode the smart alarm events from the network cameras.</p> <p>2) MJPEG format: 4-channel of 1080p and lower resolution</p> <p>3) HIK264 format: 2-channel of 720p and lower resolution</p>
Video Decoding Resolution	Up to 32 MP
<b>Audio Output</b>	
Audio Output Interface Type	Embedded HDMI audio output port or independent DB15-to-BNC audio output port
Audio Output Interfaces	4
<b>Audio Decoding</b>	
Audio Decoding Format	G711A, G711U, G722.1, G726-16/U/A, MPEG, AAC-LC, PCM

## ▪ Physical Interface

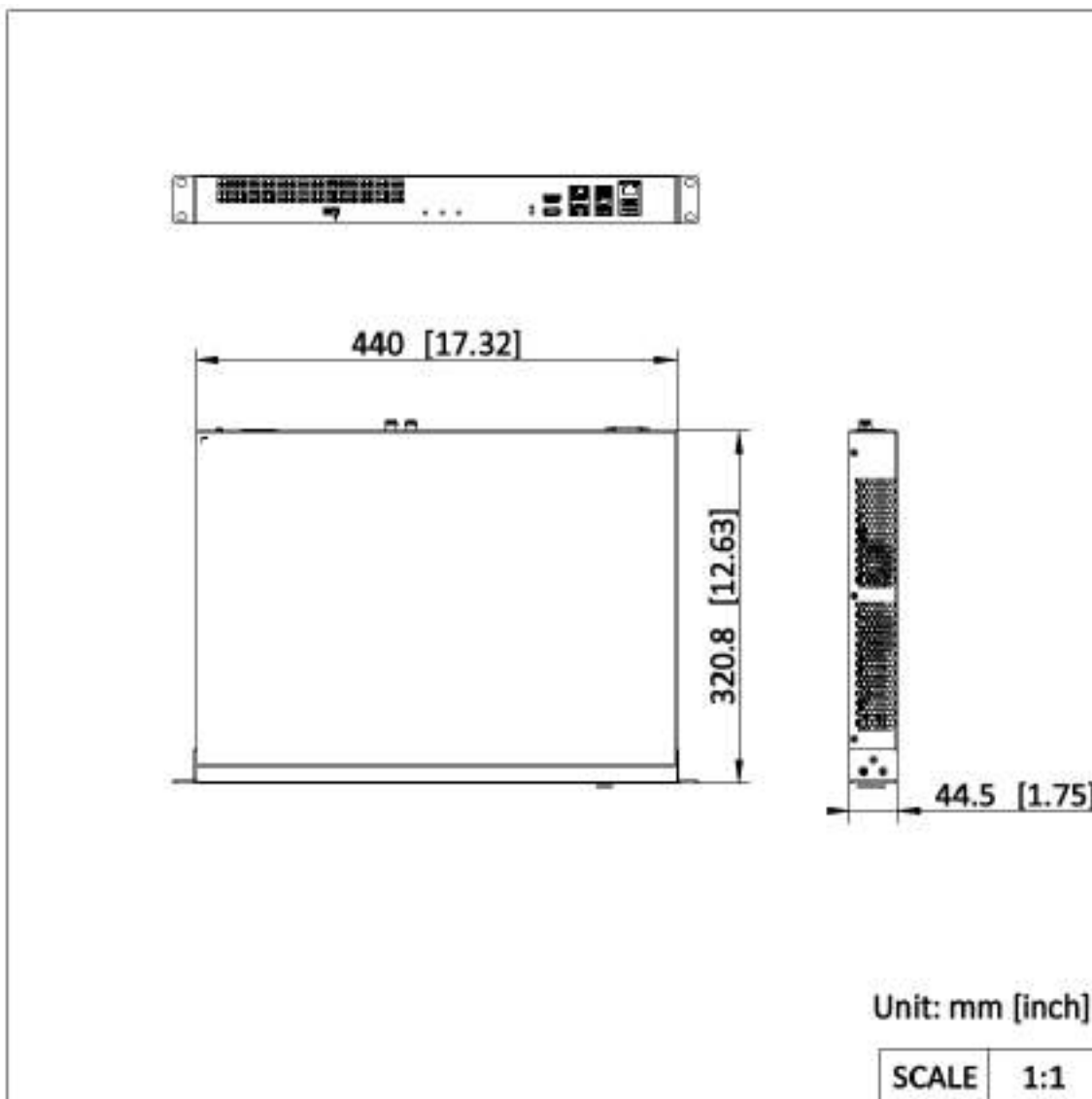


Front Panel	Description	Rear Panel	Description
SYS RUN	System running LED. It is steady green when the system runs normally.	AUDIO OUT	Audio output port
NET	Internal network LED. It is steady green when the internal network of the device is normal.	HDMI OUT	HDMI output port
PWR	Power status LED. It is steady green when the device is powered on.	VIDEO OUT	Video output port
HDMI IN1	HDMI input port 1. Its LED is steady green when the signal is connected.	RS485	RS-485 port
HDMI IN2	HDMI input port 2. Its LED is steady green when the signal is connected.	ALARM IN	Alarm input port
G	1000 Mbps electrical port 1	ALARM OUT	Alarm output port
OPT 1	1000 Mbps optical port 1		
RS232	Device debug serial port		
USB	USB 2.0 port		

▪ Available Model

DS-6904UDI(C)

▪ Dimension



See Far, Go Further



[www.hikvision.com](http://www.hikvision.com)  
[support@hikvision.com](mailto:support@hikvision.com)



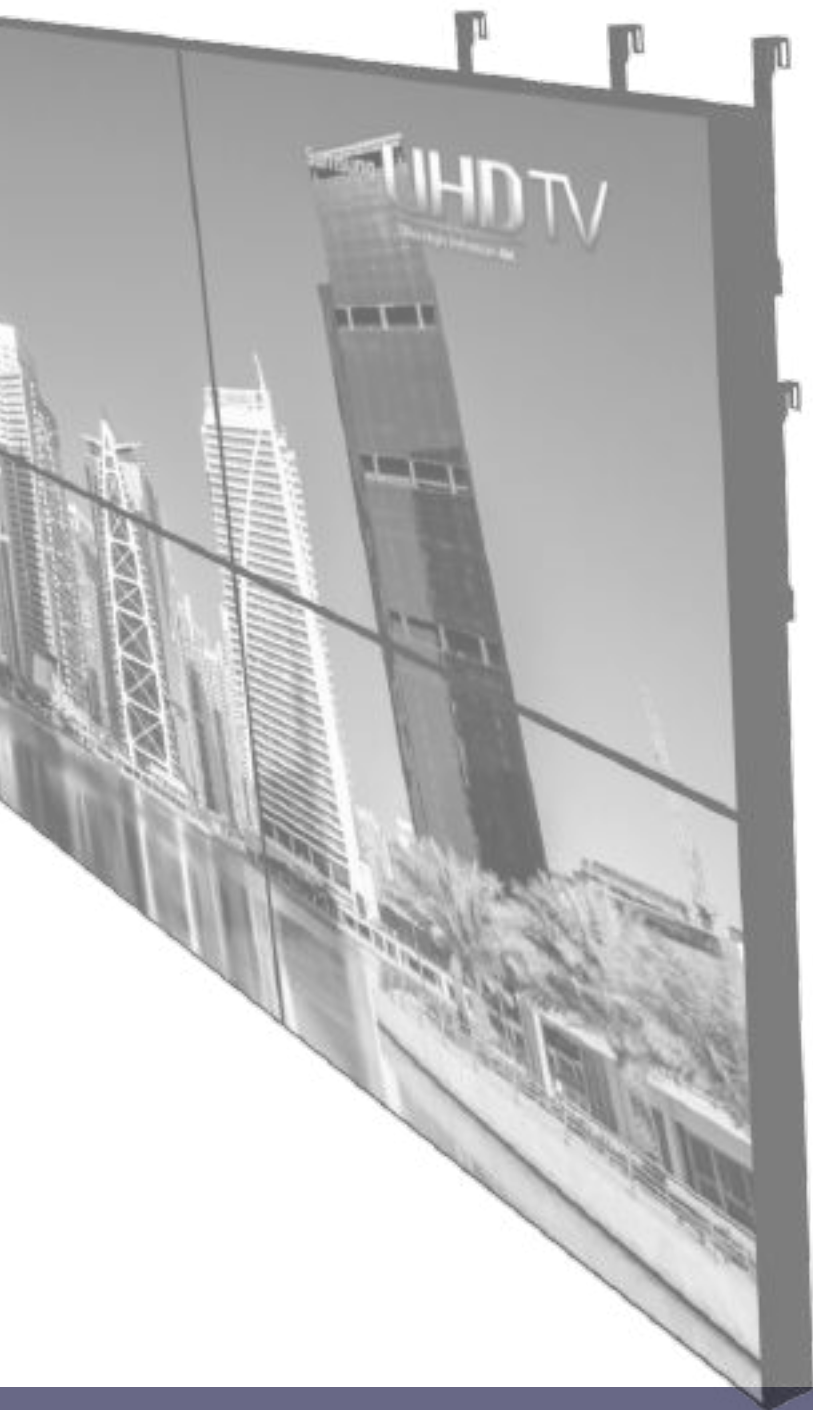
© Hangzhou Hikvision Digital Technology Co., Ltd. Unless otherwise agreed, Hikvision makes no warranties, express or implied. We reserve the right to introduce modifications without notice.

**HIKVISION**

# Manual de Instalação

**Suportaco**

## Suportes Profissionais Video Wall



**SVW-2X2  
46/49**

**[www.suportaco.com](http://www.suportaco.com)**  
SAC: Serviço atendimento ao Consumidor  
**11 96170-6292**  
[contato@suportaco.com](mailto:contato@suportaco.com)

# ÍNDICE

Este manual poderá conter imagens, ilustrações ou conteúdos diferente do modelo adquirido.

Este manual está sujeito a revisão por parte do fabricante

APRESENTAÇÃO	-----	3
INTRUÇÕES DE SEGURANÇA	-----	4,5
FERRAMENTAS NECESSARIAS PARA INSTALAÇÃO	-----	6
SUPORTE SVW-2X3 46/49	-----	7
PASSO A PASSO INSTALAÇÃO	-----	8 à 14
RESOLUÇÃO DE PROBLEMAS	-----	15
CERTIFICADO DE GARANTIA	-----	16

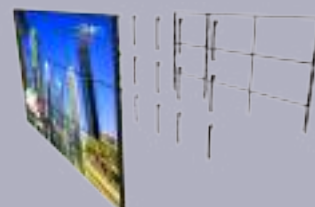
# APRESENTAÇÃO

## Suporte

Nossa Empresa atua no segmento de áudio & vídeo desde 1997, com uma equipe altamente qualificada em instalações e reparos, sentiu a necessidade de desenvolver produtos com maior qualidade e funcionamento simplificado, no qual consiga obter excelência no projeto.

A partir de 2007 foi criado um setor de projeto e desenvolvimento de suportes e estruturas Metálicas para Televisores, Monitores Profissionais, Monitores de Sistema Video Wall e Painel de Led. Será um prazer participar de novos projetos, nossa equipe de desenvolvimento sempre aguarda novos desafios.


Aproveitam o máximos nossos produtos e leia o manual com extrema atenção.




# INSTRUÇÕES DE SEGURANÇA

As seguintes diretrizes de segurança se destinam a prevenir danos ou riscos inesperados provenientes da utilização incorreta ou insegura do produto.

As diretrizes estão divididas em "AVISO" e "CUIDADO", conforme descrito abaixo.

 Este símbolo é exibido para indicar problemas e utilizações que podem apresentar riscos. Leia atentamente a parte com este símbolo e siga as instruções para evitar riscos.

 AVISO - Indica que o não cumprimento das instruções pode provocar lesões graves ou a morte.

 CUIDADO - Indica que o não cumprimento das instruções pode provocar lesões menores ou danos ao produto.

 AVISO

Para reduzir o risco de explosão, incêndio, morte, choque elétrico, lesões ou queimaduras nas pessoas ao instalar o produto, siga as precauções básicas, incluindo as informações abaixo:

## Crianças em ambiente doméstico

Este aparelho não é destinado a pessoas (incluindo crianças) com capacidades mentais, sensoriais ou físicas reduzidas ou com falta de conhecimento e experiência, a menos que sejam supervisionadas ou recebam instruções referentes ao uso do mesmo por meio da pessoa responsável por sua segurança. As crianças devem ser supervisionadas para garantir que não brinquem com o aparelho.

# INSTRUÇÕES DE SEGURANÇA

## Instruções de segurança importantes

### Instalação

Não instale os Suportes em uma superfície instável ou em lugares onde exista perigo de queda do mesmo.

Contate um centro de serviço autorizado, com capacidade técnica, certificada e com Normas Regulamentação (NRs) em dias, ao instalar ou deslocar o Suportes de forma segura.

Utilize equipamentos de segurança individual (EPI), e se preciso utilize equipamentos de segurança coletiva (EPC)

### Funcionamento

Certifique-se de utilizar apenas as peças listadas na lista de peças de reposição. Nunca tente modificar o equipamento.

Certifique-se de que as crianças não batam nem tentem subir em cima do equipamento.

Certifique-se que a pessoa esteja capacitada e faça a leitura completa do manual do equipamento.

Contate um centro de serviço autorizado no caso de o suporte danifique. Para limpar o interior, contate um centro de serviço autorizado ou o revendedor. A utilização de detergentes agressivos, Solventes, pode causar corrosão ou danificar o aparelho.

### Manutenção

Não limpe o aparelho borrifando água diretamente no mesmo.

Antes de limpar ou realizar a manutenção, desconecte a fonte de alimentação do monitor instalado.

# FERRAMENTAS NECESSÁRIAS PARA INSTALAÇÃO

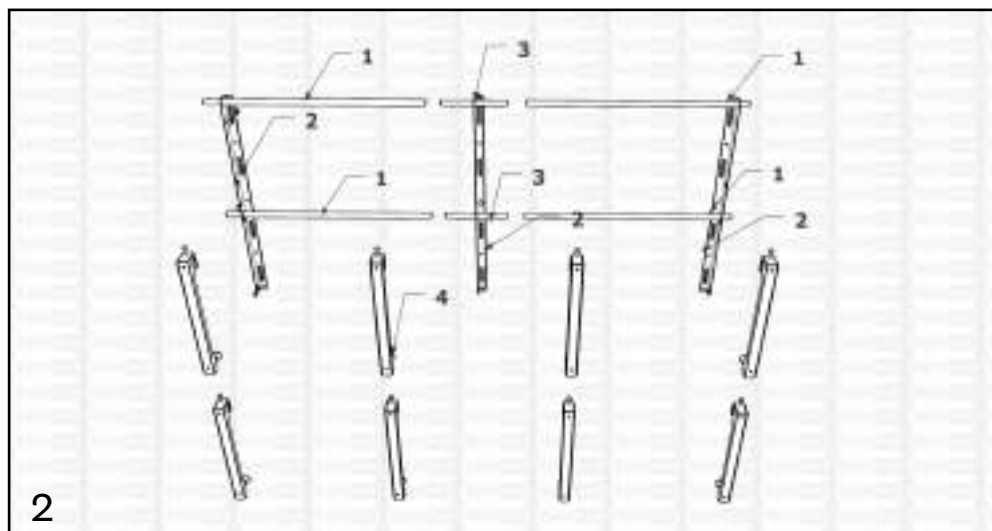
## Ilustração 1



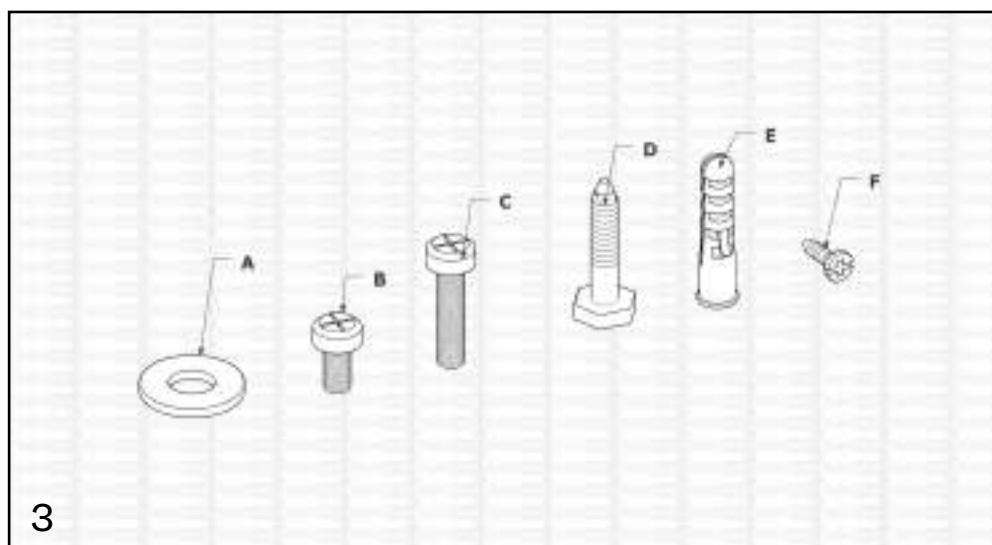
As Ferramentas acima listada acima, são necessárias, mas a montagens pode ser feita com outro tipo de ferramentas, fica critério do proprietário do equipamento adquirido.

# SUPORTE SVW-2x3 46/49

ID	QTD	DESCRIÇÃO
1	4	Suporte Tubo Principal 1'x1,5mx2mm
2	4	Base SVW-2x3 46/49
3	2	Tubo Emenda Redondo 0,30m
4	12	Haste SVW com regulagem



ID	QTD	DESCRIÇÃO
A	48	Espaçador 1mm
B	48	Parafuso M8x16mm
C	48	Parafuso M8x35
D	12	Parafuso Sextavado Soberba
E	12	Bucha 10mm
F	12	Parafuso Brocante



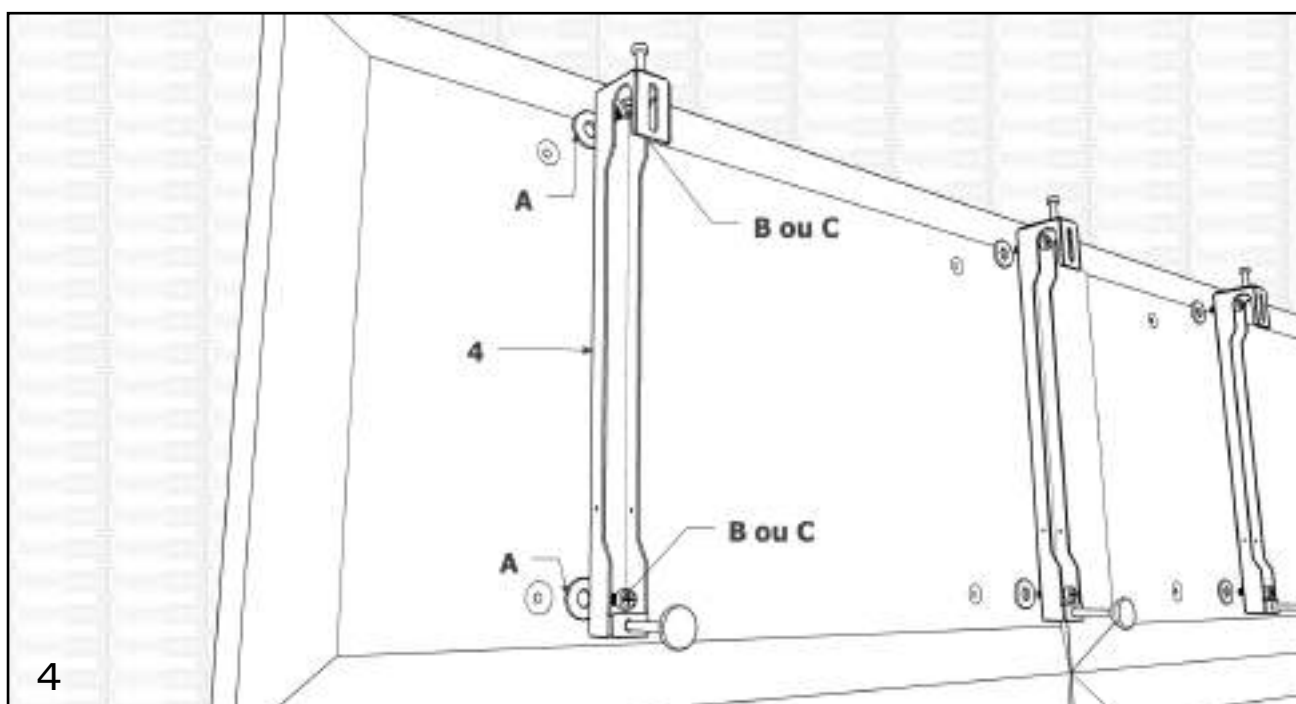
# PASSO A PASSO PARA INSTALAÇÃO

## ! ATENÇÃO!!!

Para começar a instalação, verifique se o suporte está com todas as peças descritas nesse manual, conforme ilustração 2 e 3. Certifique que as ferramentas descritas na Ilustração 1 esteja em ótimo estado para utilização na montagem do suporte, para que seja garantida segurança de operadores e técnicos.

### 1º Passo

Conforme Ilustração 4 abaixo, instale todas as hastes nos monitores, seguindo a ordem, espaçador **A**, Haste **4** e Parafuso M8 **B** ou **C**, dependendo da profundidade de fixação do monitor.

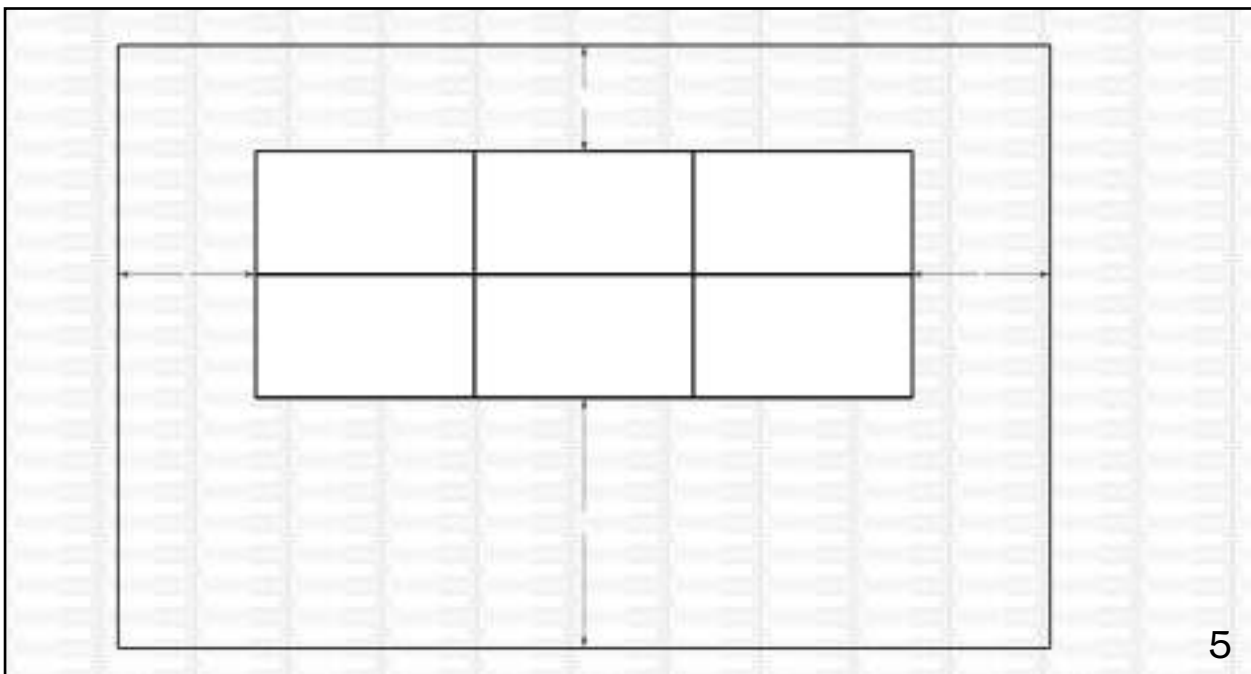


# PASSO A PASSO PARA INSTALAÇÃO

## 2º Passo;

**!** Verifique o local de instalação do suporte, o kit de fixação fornecido no kit é **somente para Parede de Alvenaria**, para demais tipos de Parede é de TOTAL responsabilidade da equipe de execução da Instalação. Verifique se a parede não tenha obstrução, Trincas, Canos de Hidráulica, Cabos de Elétrica ou qualquer coisa que possa colocar em risco a instalação.

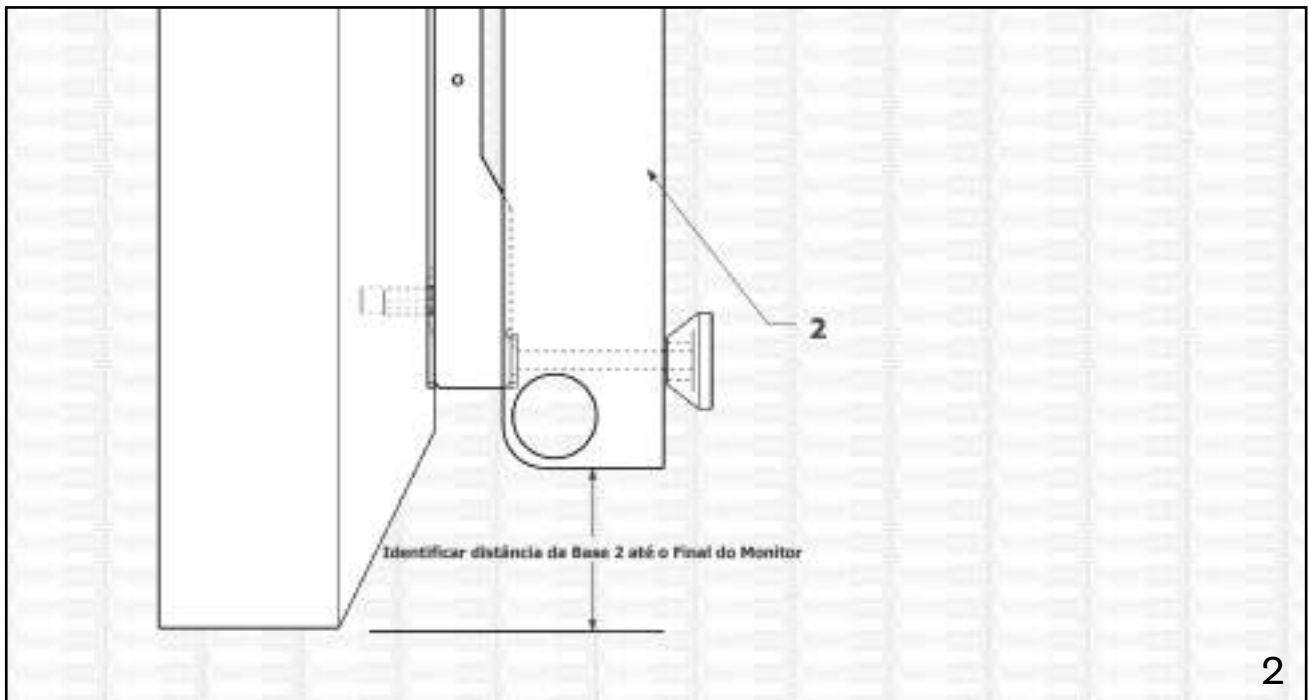
Definir altura aonde será fixado os monitores conforme ilustração 5, essas medidas são necessárias para seguir os passos corretamente, para uma instalação adequada do Suporte.



# PASSO A PASSO PARA INSTALAÇÃO

## 3º Passo;

Verifique a medida do monitor com a base encaixada na haste conforme a Ilustração 6 e tira as medidas necessárias para fixar a Base SVW-2x2 46/49 item **2** junto com o Tubo Principal encaixada, especificamente aonde ele vai começar e terminar, assim defina na parede a altura correta para fixação da Base.

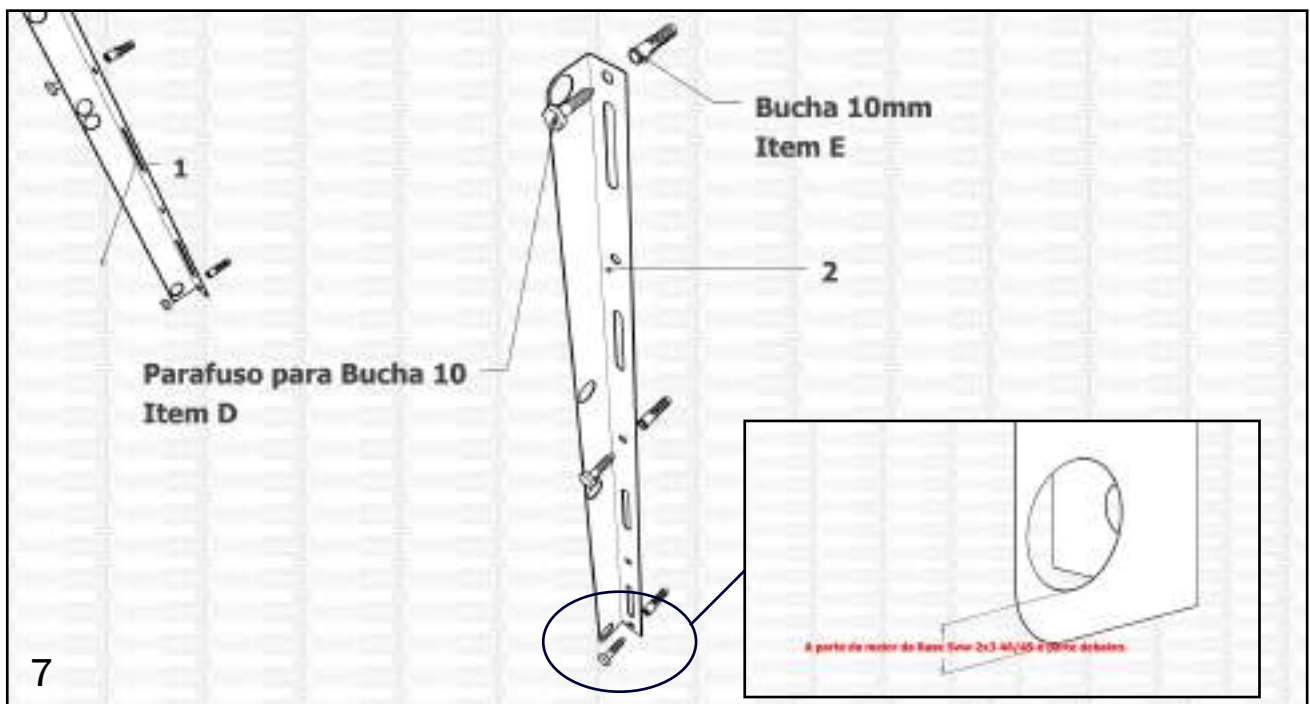


OBS: Muita ATENÇÃO nesse passo, pois ele é um dos principais para qualidade da instalação, as medidas tem que ser precisa para definir a altura desejada.

# PASSO A PASSO PARA INSTALAÇÃO

## 4º Passo;

Fixação da Base SVW-2x2 46/49 item **2** . Com as Medidas em mãos, defina ela na parede de alvenaria, marque e faça os furos e fixe as bases e Tubos Principais **2** com seus Tubos Emendas **3**, utilize a parafusadeira com Bit PHS, e prenda os dois itens com Parafuso Brocante **F**, conforme ilustração 7;

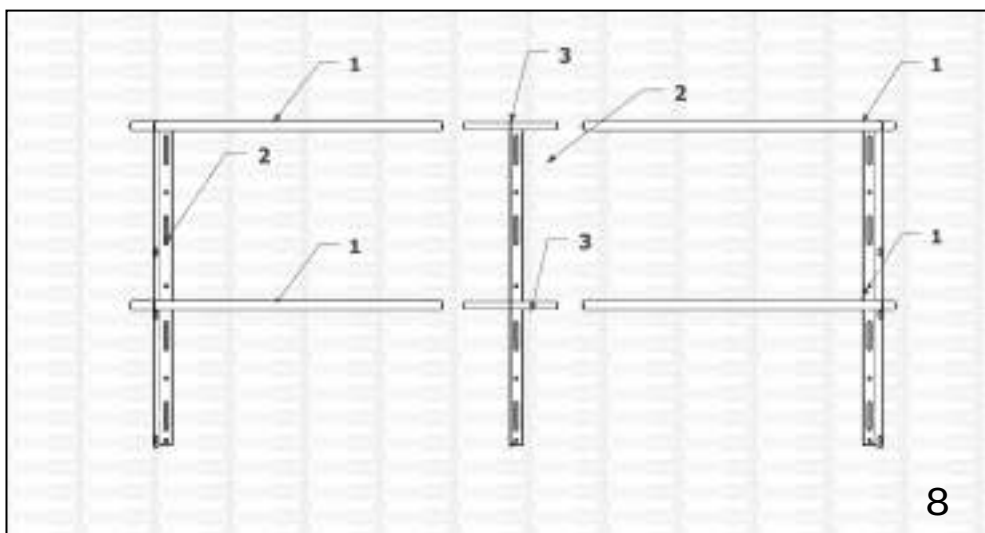


**!** Certifique se a ancoragem do parafuso com a bucha ficou completamente firme, caso não fique, faça outra furação na parede em um ponto melhor o local de instalação do suporte, o kit de fixação fornecido no kit é **somente para Parede de Alvenaria**, para demais tipos de Parede é de TOTAL responsabilidade da equipe de execução da Instalação.

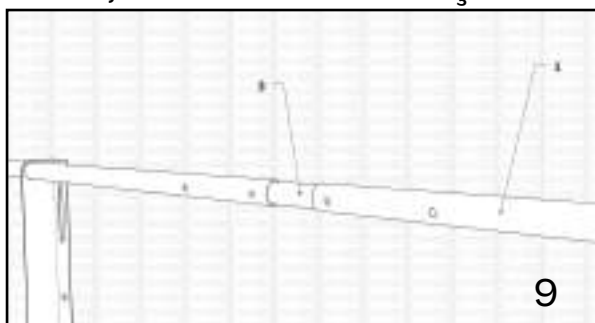
# PASSO A PASSO PARA INSTALAÇÃO

## 5º Passo;

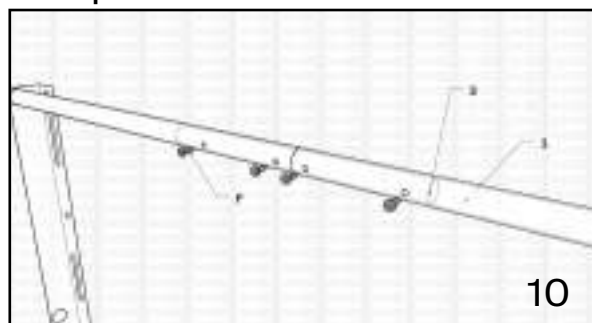
Após a fixação da Base SVW-2x2 46/49 item **2**, encaixe os Tubos Principais, conforme Ilustração 8;



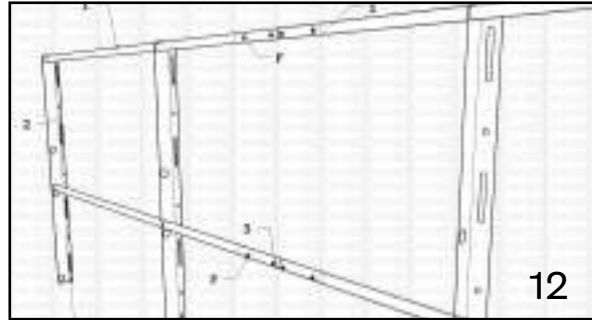
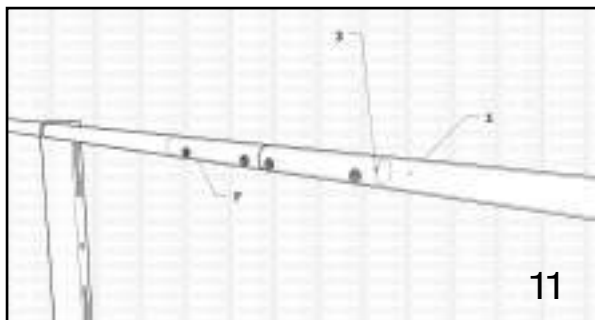
**6º Passo;** Encaixe Tubo Emenda **3**, conforme Ilustração 9.



**7º Passo;** Com a Parafusadeira, coloque Parafusos Brocantes **F**.

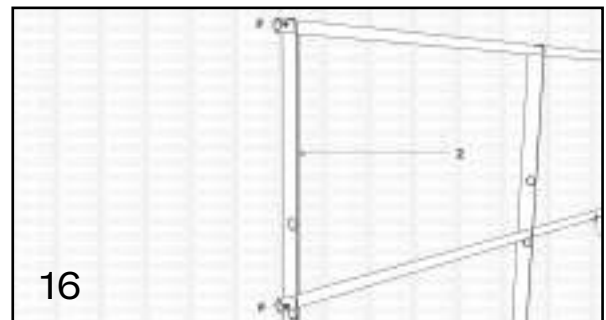
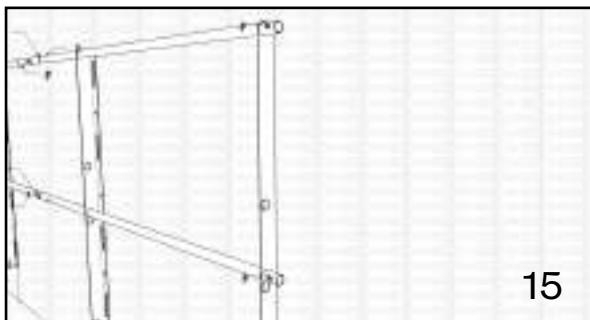
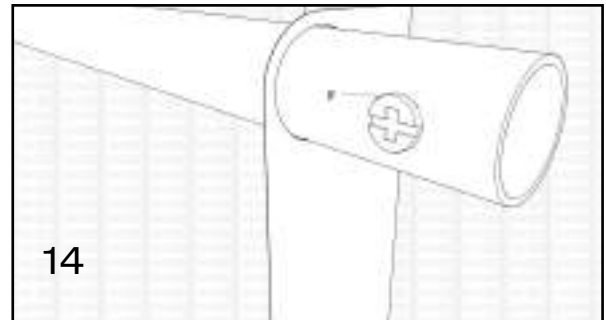
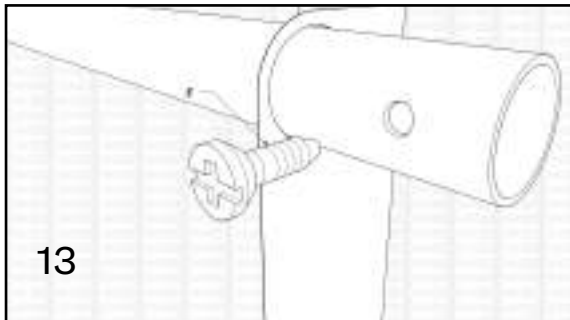


**8º Passo;** Certifique que Parafusos fiquem Encaixado, conforme Ilustração 11 e 12.

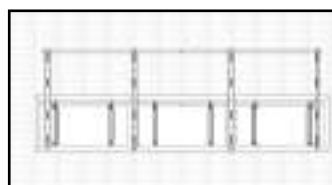
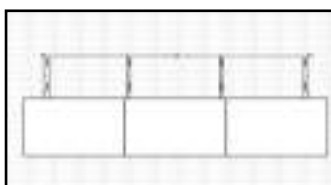


# PASSO A PASSO PARA INSTALAÇÃO

**9º Passo;** Fixação dos Limitadores, com a Parafusadeira coloque Parafuso brocante **F**, no limite de cada Tubo Principal, siga todos os passos conforme as Ilustrações 13,14,15 e 16.



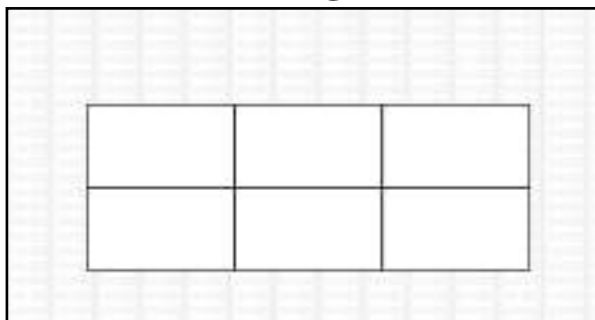
**10º Passo;** Depois da estrutura fixa, comece colocando os monitores da parte de baixo, após colocar os 2 monitores, ajuste a altura colocando os monitores simétricos e com o Nível regule, conforme ilustração 17,18 e 19.



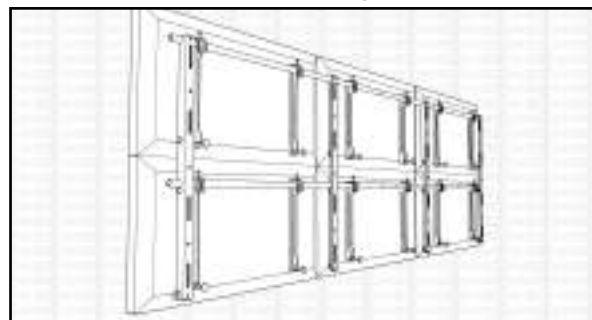
Siga a sequência das Ilustrações e com os Ajuste de Nível e Inclinação coloque eles na melhor posição.

# PASSO A PASSO PARA INSTALAÇÃO

**11º Passo;** Depois de Regular os Monitores, coloque os monitores superiores e ajuste. Utilize os Ajustes de Nível e levante os monitores até que o superior não encoste no inferior, assim fica eles não colocarem sobre carga nos monitores inferiores e os danifiquem.



20



21

Para Utilizar a função Basculante, os monitores tem que estar completamente alinhados, para que o movimento não danifiquem os mesmos. Função basculante serve para o integrador poder ter acesso as conexões dos monitores, após a utilização, o monitor tem que voltar para sua posição.



22



23

Em caso de Dúvidas, contate nosso departamento técnico através do WhatsApp: [11 96170-6292](https://api.whatsapp.com/send?phone=11961706292) ou email: [contato@suportaco.com](mailto:contato@suportaco.com)  
Suportaco é uma marca da DF Freires Sistema de Áudio & Vídeo Ltda.  
CNPJ: 33.646.299/0001-05  
Rua João Coelho Barbosa, 13 , Jd.São Luiz, Cep: 05843-280 São Paulo/Sp

**[www.suportaco.com](http://www.suportaco.com)**  
SAC: Serviço atendimento ao Consumidor  
**11 96170-6292**  
[contato@suportaco.com](mailto:contato@suportaco.com)

# RESOLUÇÃO DE PROBLEMAS

Sintomas	Possíveis causas e soluções
<b>Base não fixa na parede.</b>	Caso a o parafuso nano fique firme na bucha, confira a estrutura da parede, se ela é realmente de alvenaria, caso seja outro tipo utilize buchas próprias para cada tipo de parede. No Kit fixação fornecido pela Suporteço acompanha somente buchas para Parede de Alvenaria.
<b>Os Tubos Principais não encaixa.</b>	Os tubos fornecidos são testado e aprovados pelo departamento de qualidade da Suporteço, confira se não existe alguma avaria nos tubos e na Base.
<b>Os Monitores não encaixam, eles pegam um no outro.</b>	Confira se hastes fornecidas estão na posição corretas e iguais para todos os monitores, confira se os Tubos Principais estejam nas posição correta, utilize a regulagem de Nível de cada Haste para regular.
<b>Há um espaço entre os monitores.</b>	Confira se hastes fornecidas estão na posição corretas e iguais para todos os monitores, confira se os Tubos Principais estejam nas posição correta, utilize a regulagem de Nível de cada Haste para regular, verifique se elas não estão totalmente apertadas.
<b>Os Monitores estão Inclínados para cima.</b>	Confira se os ajustes de Prumo/Inclinação estejam ajustadas, caso precise rosquei até chegar no ponto 0.
<b>Os Monitores estão Inclínados para baixo.</b>	Confira se os ajustes de Prumo/Inclinação estejam ajustadas, caso precise rosquei até chegar no ponto 0.
<b>Não consigo bascular.</b>	Verifique se os ajuste de nível esteja corretamente regulado. Verifique se não tenha cabos de Imagem e elétrica obstruindo.

# Certificado de Garantia

## Garantia do Produto

A Suportação oferece ao usuário deste produto garantia contratual pelo período de 09 (nove) meses contados a partir da data de entrega efetiva do produto ao primeiro adquirente ou da data de emissão da nota fiscal de compra, e garantia legal de 90 (noventa) dias contados do término da garantia contratual, totalizando 12 (doze) meses de garantia contra defeito e/ou vício de fabricação e de material nos produtos, desde que os produtos tenham sido instalados conforme orientações descritas no manual de instalação que acompanha o produto. A garantia do produto somente será aplicável em Território brasileira.

## A Garantia Legal e Contratual perderá seu efeito se:

O produto não for utilizado para os fins que se destina a e em desacordo com o manual de instalação.

O produto não tiver sido instalado conforme orientações descritas no manual de instalação, ou seja, quando inobservadas instruções, quando aplicável, quanto ao nivelamento, inclinação, montagem das bases e conexões.

O produto for submetido a intervenções, tais como alterações ou modificações que altere a características / estruturas e finalidade do produto.

## Condições não cobertas pela garantia do produto

Houver danos recorrentes de mau uso, desempenho insatisfatório mau instalação, acidente, queda, agentes naturais como maresia, salinidade e

Data da Compra **22/02/2021**

Modelo: SVW-**2x2 46/49**

Revenda:

**WPM**

Código OP: **21**

Carimbo:

Nota Fiscal nº:



## A SOLUÇÃO DEFINITIVA PARA SEUS EQUIPAMENTOS ELETRÔNICOS.

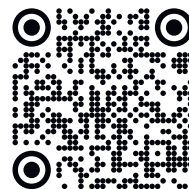
- **Praticidade**  
Instalação simplificada que economiza espaço.
- **Acesso Fácil**  
Porta frontal e painéis laterais removíveis.
- **Organização de Cabos**  
Aberturas estratégicas para gerenciamento eficaz.
- **Excelente Ventilação**  
Espaço para dois exaustores e ventilação natural através de aletas laterais.
- **Durabilidade**  
Estrutura modular resistente com pintura eletrostática a pó.
- **Ajustabilidade**  
Planos de fixação frontais e traseiros reguláveis para adaptar-se às suas necessidades.

### OPCIONAIS

Acabamento:  
Porta com vidro temperado  
Porta Perfurada

Estrutura:  
Soldada

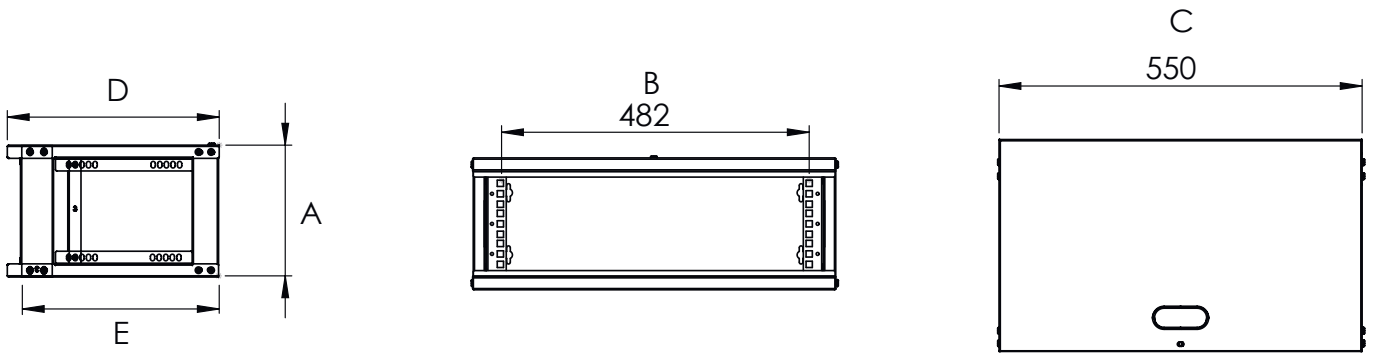
Cores:  
● Preto  
● Bege



Assista o vídeo

## MINI RACK MODULAR

ALTURA ÚTIL	ALTURA EXTERNA A	LARGURA INTERNA B	LARGURA EXTERNA C	PROFUNDIDADE EXTERNA D	PROFUNDIDADE INTERNA E
12U	698 mm	482 mm	550 mm	320 mm   370 mm   470 mm   570 mm   670mm	300 mm   350 mm   450 mm   550 mm   650mm



## ESPECIFICAÇÕES TÉCNICAS

### DIMENSIONAL

Tamanho	12U
Profundidade	320 mm, 370 mm, 470 mm, 570 mm, 670mm
Padrão	19 Polegadas
Largura	550mm

### ESTRUTURAL

Tipo	Modular com quadro frontal monobloco soldado e fundo monobloco, aço SAE 1020 de espessura 0,75mm
Porta	Porta removível e reversível ambos os lados com visor acrílico fumê de espessura de 2mm e fechadura cilíndrica com um par de chaves.
Teto	Abertura para dois exaustores e uma passagem de cabo destacável de 85mm por 35mm
Laterais	Removíveis com aletas de ventilação e fechos rápidos
Base	Com uma passagem de cabo destacavel de 85mm por 35mm
Fundo	Com quatro furos para a fixação na parede, enviamos as buchas e os parafusos.
Planos de fixação	Quatro planos de fixação com regulagem de profundidade, fabricados em chapa de aço SAE 1020 com espessura de 1,20mm. OBS na profundidade 320mm somente um par de planos de fixação é enviado. (Furos de 9,9mm para porca-gaiola)

### ACABAMENTO

Pintura	Eletrostática a pó texturizada com tratamento de superfície. Cor Preto.
---------	---

### GERAIS

SKU	RFMRDP12U300 RFMRDP12U370 RFMRDP12U470 RFMRDP12U570 RFMRDP12U670
Aplicação	Ambiente indoor
Capacidade de peso	50 Kg
Garantia	2 anos de garantia para defeitos de fabricação
Projetado e Fabricado conforme Normas	IP 20 / IEC297 e DIN 41494

### ACESSÓRIOS COMPATÍVEIS

Bandeja Fixa	Todas as bandejas fixas que a profundidade seja menor que a profundidade interna do mini rack de parede
Bandeja Móvel	Todas as bandejas móveis que a profundidade seja menor que a profundidade interna do mini rack de parede
Bandeja Frontal	Todas as bandejas frontais que a profundidade seja menor que a profundidade interna do mini rack de parede
Guia Cabo	Todos os modelos para rack padrão 19"
Régua de Tomadas	Todos os modelos para rack padrão 19"
Kit Ventilação	Kit de ventilação Duplo
Frente Falsa	Modelo para rack padrão 19" - 1U, 2U e 4U
Kit Porca Gaiola	Para a fixação dos acessórios ( 10 unidades ou 100 unidades)

# DATASHEET TÉCNICO

## Kit Ventilação Duplo Flex – Rack Padrão 19"

Marca	RackFort
Modelo	RFKVDF2
Quantidade de Ventiladores	2 micro ventiladores
Tensão	Bivolt (110V / 220V)
Proteção	Fusível de proteção interno
Controle	Chave Liga / Desliga
Instalação	Teto interno do rack
Compatibilidade	Racks padrão 19"
Aplicação	CPD, Data Center, Sala de TI, Telecom

O Kit Ventilação Duplo Flex foi desenvolvido para promover ventilação forçada em racks padrão 19", auxiliando na redução da temperatura interna e aumentando a vida útil dos equipamentos instalados.

## Calha de tomadas 19"



Calhas com 4, 6, 8, 10 e 12 tomadas com fixação para 19"  
Tomadas padrão brasileiro (NBR 14136) 2P +T (10A e 20A) 250V  
Cabo constituído de 3 via PP 2,5 m de Comprimento (10A e 20A) com plug;  
Montadas com barramento de latão  
Estrutura em aço com pintura eletrostática poliéster, RAL 9011 preto texturizado;  
Cantoneira giratória para quatro posições de fixação.



Dados Técnicos			
Código	largura	Qtd de Tomadas	Amper
CALHA 0019	483(19")	4	10A
CALHA 0015	483(19")	4	20A
CALHA 0020	483(19")	6	10A
CALHA 0030	483(19")	6	20A
CALHA 0021	483(19")	8	10A
CALHA 0009	483(19")	8	20A
CALHA 0037	483(19")	10	10A
CALHA 0014	483(19")	10	20A
CALHA 0024	483(19")	12	10A
CALHA 0028	483(19")	12	20A

## Calha de tomadas especial 10 e 12



Calhas com 10 e 12 tomadas

Tomadas padrão brasileiro (NBR 14136) 2P + T (10A e 20A) 250V

Cabo constituído de 3 via PP 2,5 m de Comprimento (10A e 20A) com plug;

Montadas com barramento de latão

Estrutura em aço com pintura eletrostática poliéster, RAL 9011 preto texturizado;

Cantoneira giratória para quatro posições de fixação.



### Dados Técnicos

Código	largura	Qtd de Tomadas	Amper
CALHA 0096	683	10	10A
CALHA 0017	683	10	20A
CALHA 0022	683	12	10A
CALHA 0010	683	12	20A

[www.wjmoreira.com.br](http://www.wjmoreira.com.br)

Rua Amacás, 424 - Jardim Leonidas Moreira

São Paulo - SP, 05792-030, Brasil

(11)5846-1041

[contato@wjmoreira.com.br](mailto:contato@wjmoreira.com.br)

## Calha de tomadas com fusível



Calhas com 4, 6, 8, 10 e 12 tomadas e fusível com fixação para 19"  
Tomadas padrão brasileiro (NBR 14136) 2P + T (10A e 20A) 250V  
Cabo constituído de 3 via PP 2,5 m de Comprimento (10A e 20A) com plug;  
Montadas com barramento de latão  
Estrutura em aço com pintura eletrostática poliéster, RAL 9011 preto texturizado;  
Cantoneira giratória para quatro posições de fixação

Dados Técnicos			
Código	largura	Qtd de Tomadas	Amper
CALHA0073	483(19")	4	10A
CALHA0067	483(19")	4	20A
CALHA0074	483(19")	6	10A
CALHA0068	483(19")	6	20A
CALHA0053	483(19")	8	10A
CALHA0058	483(19")	8	20A
CALHA0075	483(19")	10	10A
CALHA0072	483(19")	10	20A
CALHA0076	483(19")	12	10A
CALHA0069	483(19")	12	20A

## Calha de tomadas com disjuntor



Calhas com 4, 6, 8 tomadas e disjuntor unipolar com fixação para 19"  
Tomadas padrão brasileiro (NBR 14136) (10A e 20A) 250v  
Cabo constituído de 3 via PP 2,5 m de Comprimento (10A e 20A) com plug;  
Montadas com barramento de latão  
Estrutura em aço com pintura eletrostática poliéster, RAL 9011 preto texturizado;  
Cantoneira giratória para quatro posições de fixação.

Dados Técnicos			
Código	largura	Qtd de Tomadas	Amper
CALHA0099	483(19")	4	10A
CALHA0079	483(19")	4	20A
CALHA0080	483(19")	6	10A
CALHA0060	483(19")	6	20A
CALHA0050	483(19")	8	10A
CALHA0054	483(19")	8	20A

Dados Técnicos			
Codigo	largura	Qtd de Tomadas	Amper
CALHA0103	683	10	10A
CALHA0064	683	10	20A
CALHA0104	683	12	10A
CALHA0065	683	12	20A

## CABO HDMI 2.0 - 4K HDR 19P 5M

Os cabos PIX estão em total conformidade com o padrão HDMI 2.0, oferecem todos os recursos do padrão 1.4 e além disso, atingem 18Gbps de largura de banda e permitem a resolução de 4K em 3D com até 60 quadros por segundo 32 canais de som e proporção de imagem de cinema (21:9) para a melhor experiência em filmes e games.



# PIX

PARA JOGOS, FILMES E ESPORTES EM 4K@60HZ\*

PONTAS GOLD 24K

3 ANOS DE GARANTIA

**4K** RESOLUÇÃO 4K

HDR - MAIOR GAMA DE CORES

**18** Gbps ALTA VELOCIDADE E LARGURA DE BANDA

### ESPECIFICAÇÕES TÉCNICAS

- PLUG injetado em PVC
- Condutores AWG 30
- Conectores banhados a ouro
- Suporte total à saída de cor 4:4:4
- Performance de áudio otimizada
- Gama de cores HDR
- Com blindagem Mylar

### DIMENSÕES & PESO

Unidade: 22,6 x 17,8 x 3 cm (AxLxE)  
Peso: 0,210Kg  
Caixa: 37 x 37 x 37 cm (AxLxP)  
Peso: 11,500Kg

### INFORMAÇÕES FISCAIS

Classificação Fiscal (NCM): 85444200

### CÓD. DE BARRAS

Unidade: 7899744021104  
Caixa Mãe: 17899744021101

### QUANTIDADE

Unidade: 1 peça  
Caixa Mãe: 50 peças

### Compare com as versões anteriores

FUNCCIONALIDADES	1.3	1.4	2.0
Suporte à Full HD Blu-ray e HD DVD	✓	✓	✓
CEC - Controle de até 15 dispositivos	✓	✓	✓
DVD Áudio	✓	✓	✓
Super Áudio CD (DSD)	✓	✓	✓
Auto lip-sync - Sincronização automática de áudio e vídeo	✓	✓	✓
Dolby TrueHD/DTS-HD	✓	✓	✓
CEC estendido	✓	✓	✓
Video 3D		✓	✓
Canal de ethernet 100 Mbit/s		✓	✓
ARC - Canal de retorno de áudio		✓	✓
4 canais de áudio			✓
2 canais de vídeo			✓
HDR HLG			✓
HDR estático			✓

Código: 018-2225